

Wood-Mizer®

Replacement Parts

MP160 E3S	rev. A1.01
MP160 E3S-V	rev. A1.01



Safety is our #1 concern! Read and understand all safety information and instructions before operating, setting up or maintaining this machine.

Form #2403

Table of Contents

Section-Page

SECTION 1	GENERAL INFORMATION	1-1
1.1	How To Use the Parts List.....	1-1
1.2	Sample Assembly	1-1
SECTION 2	PLANER/THICKNESSER, MP160	2-1
2.1	Shaft	2-1
2.2	Side covers	2-2
2.3	Inspection Window Covers	2-3
2.4	Chain slide block	2-4
2.5	Chip duct	2-5
2.6	Knife Set	2-6
2.7	Decals	2-7
2.8	MP160 Table Extension (Part No. 540581)	2-9
2.9	Castor wheels 535166	2-10
2.10	Castor wheel assembly 535163	2-11
2.11	Wrench Set (No. 535185)	2-12
2.12	Foot Set (No. 536996)	2-13
2.13	Protective guard adjustment assembly 534170	2-14
2.14	Bottom table (No. 534352)	2-15
2.15	Chip channel assembly 534218	2-16
2.16	Small guard assembly 534182	2-17
2.17	Chain tensioner assembly 534171	2-18
2.18	Pusher 534166	2-19
2.19	Cutter protective cover assembly 534752	2-20
2.20	Cutter assembly 534223	2-21
2.21	Cutter assembly 534785	2-23
2.22	Cutter Guard (No. 534220)	2-24
2.23	Bearing assembly 534225	2-25
2.24	Upper outfeed table 534205	2-26
2.25	Mounting bar assembly 534357	2-27
2.26	Fence assembly 534185	2-28
2.27	Adjuster Assembly, Fence Panel (No. 534213)	2-30
2.28	Upper infeed table 534355	2-31
2.29	Front guide rail assembly 534375	2-32
2.30	Rear guide rail assembly 534376	2-33
2.31	Infeed table adjustment handle 534380	2-34
2.32	Up/down Assembly 534385	2-35
2.33	Chain Tensioner (No. 534390)	2-37
2.34	Knob and scale assembly 534760	2-38
SECTION 3	MOTOR KITS, 534198, 534197	3-1
3.1	MP160 Motor Kits PRO 534198, ECO 534197	3-1
3.2	Cutting Head Drive 534196	3-3

Table of Contents

Section-Page

3.3	ECO Feed drive 533638	3-5
3.4	PRO Feed drive 533650	3-6
3.5	Electric box 532805	3-8
3.6	Cover MP160 534776	3-9
3.7	Emergency stop switch assembly 535669	3-10

SECTION 1 GENERAL INFORMATION

1.1 How To Use the Parts List

- Use the index above to locate the assembly that contains the part you need.
- Go to the appropriate section and locate the part in the illustration.
- Use the number pointing to the part to locate the correct part number and description in the table.
- Parts shown indented under another part are included with that part.
- Parts marked with a diamond (◆) are only available in the assembly listed above the part.

See the sample table below. Sample Part #A01111 includes part F02222-2 and subassembly A03333. Subassembly A03333 includes part S04444-4 and subassembly K05555. The diamond (◆) indicates that S04444-4 is not available except in subassembly A03333. Subassembly K05555 includes parts M06666 and F07777-77. The diamond (◆) indicates M06666 is not available except in subassembly K05555.

1.2 Sample Assembly				
REF.	DESCRIPTION (◆ Indicates Parts Available In Assemblies Only)	PART #	QTY	
	Sample Assembly, Complete (Includes All Indented Parts Below)	A01111	1	
1	Sample Part	F02222-22	1	
	Sample Subassembly (Includes All Indented Parts Below)	A03333	1	
2	Sample Part (◆ Indicates Part Is Only Available With A03333)	S04444-4	1	◆
	Sample Subassembly (Includes All Indented Parts Below)	K05555	1	
3	Sample Part (◆ Indicates Part Is Only Available With K05555)	M06666	2	◆
4	Sample Part	F07777-77	1	

To Order Parts:

- From Europe call our European Headquarters and Manufacturing Facility in Kolo, Poland at **+48-63-2626000**. From the continental U.S., call our toll-free Parts hotline at **1-800-525-8100**. Have your customer number, vehicle identification number, and part numbers ready when you call. From other international locations, contact the Wood-Mizer distributor in your area for parts.

Office Hours:

Country	Monday - Friday	Saturday	Sunday
Poland	7-15	Closed	Closed
US	8 a.m.- 5 p.m.	8 a.m.- 12 p.m.	Closed

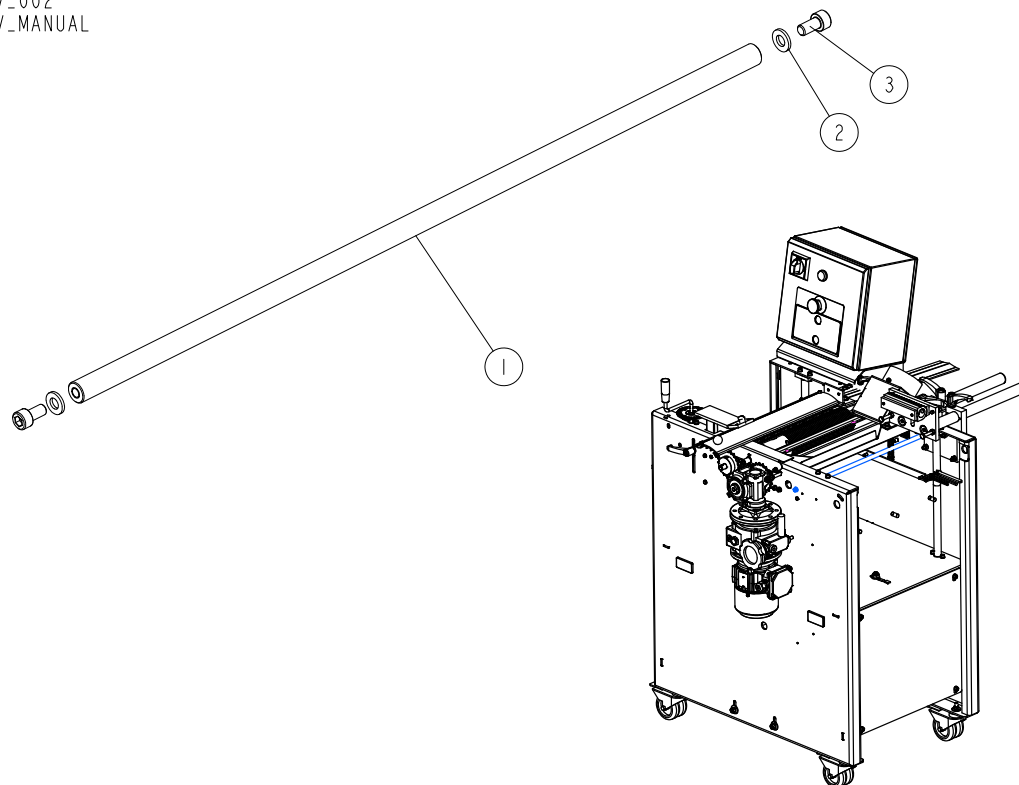


CAUTION! It is strongly recommended that only original spare parts be used.

SECTION 2 PLANER/THICKNESSER, MP160

2.1 Shaft

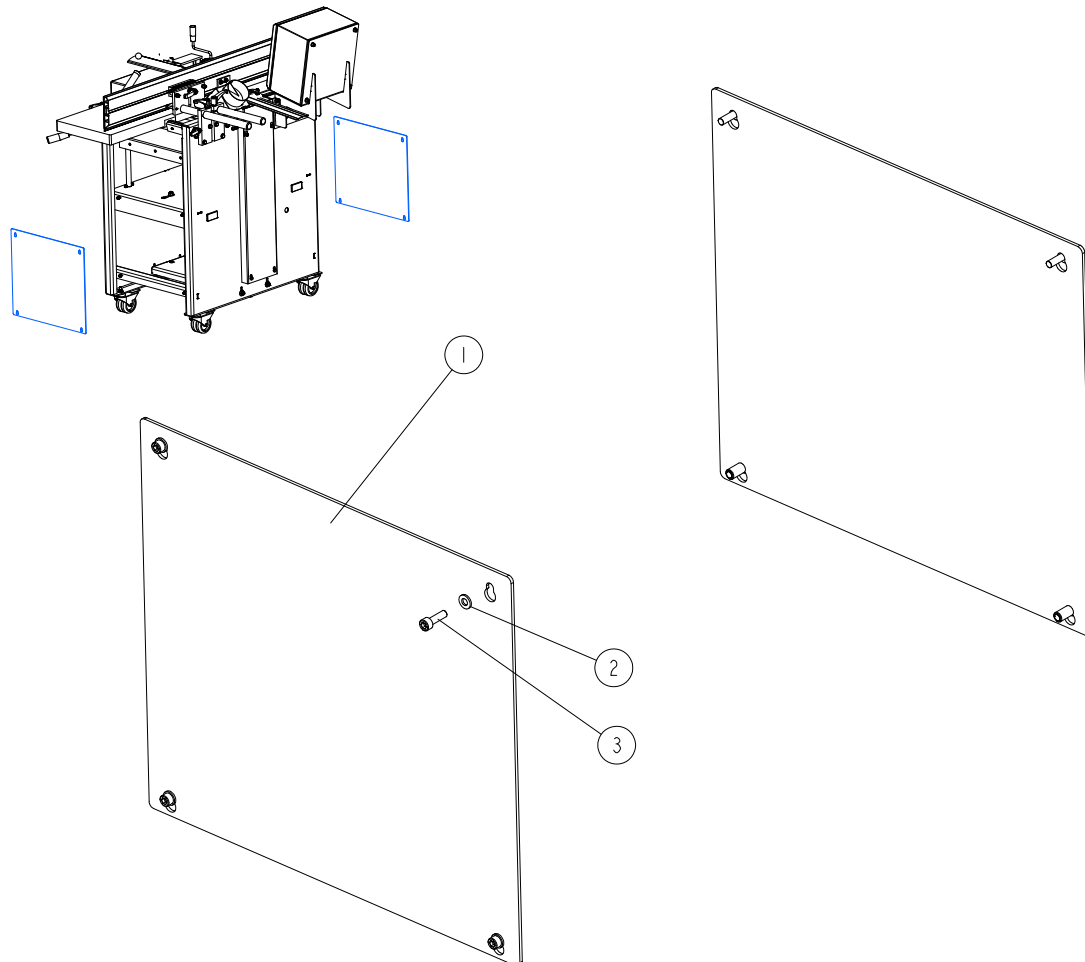
MP160EH3S-V_002
MP160EH3S-V_MANUAL



REF.	DESCRIPTION (* indicates parts available in assemblies only)	PART #	QTY
1	SHAFT	533092-1	1
2	WASHER, 6.4 FLAT ZINC	F81053-1	2
3	SCREW, ISO 4762-M6X12-8.8-A2E HEX SOCKET HEAD CAP	F81001-87	2

2.2 Side covers

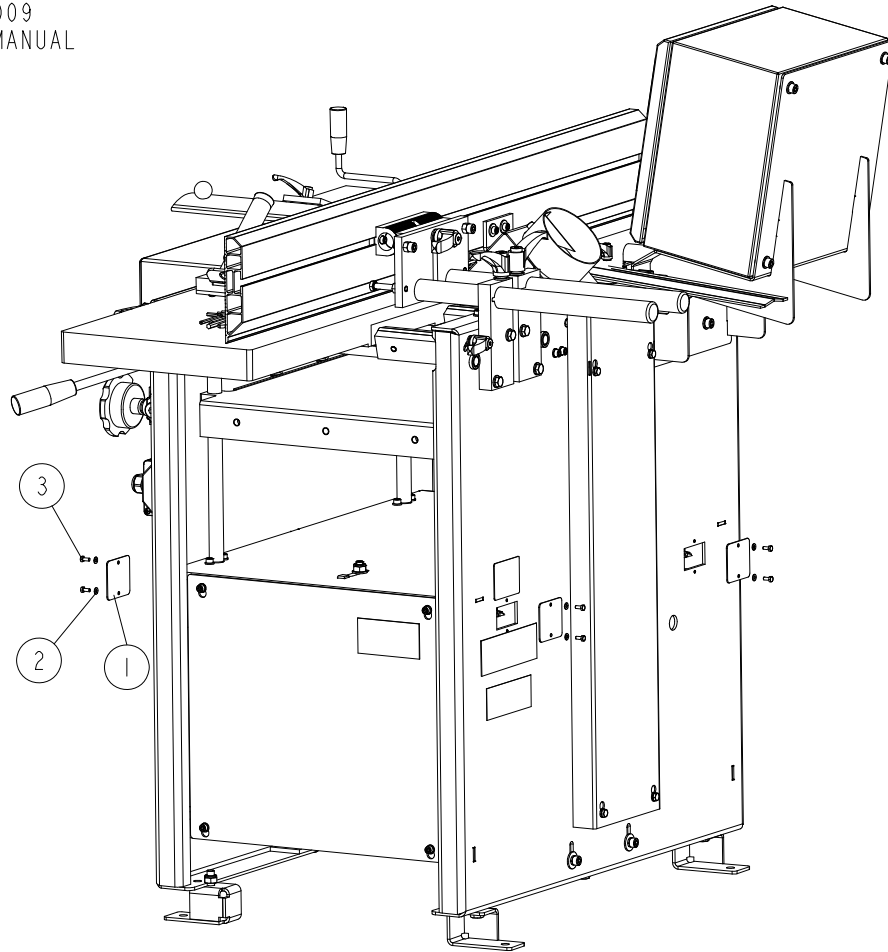
MP160EH3S-V_003-1
MP160EH3S-V_MANUAL



REF.	DESCRIPTION (* indicates parts available in assemblies only)	PART #	QTY
1	PLATE, SIDE	533096-1	2
2	WASHER, 6.4 FLAT ZINC	F81053-1	8
3	SCREW, M6X20 8.8 HEX SOCKET HEAD CAP ZINC	F81001-22	8

2.3 Inspection Window Covers

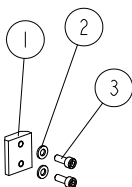
MP160EH3S-V_009
 MP160EH3S-V_MANUAL



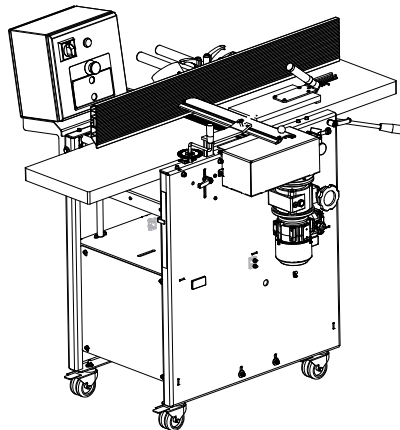
REF.	DESCRIPTION (* indicates parts available in assemblies only)	PART #	QTY
-	MP160EH3S-V PLANER/THICKNESSER	MP160EH3S-V	1
1	COVER, INSPECTION WINDOW	536995-1	4
2	WASHER, 4.3 FLAT ZINC	F81051-2	8
3	BOLT, M4X10 DIN933(A2)/ISO 4017 STAINLESS STEEL	F81000-27	8

2.4 Chain slide block

MP160EH3S-V_006-I
MP160EH3S-V_MANUAL



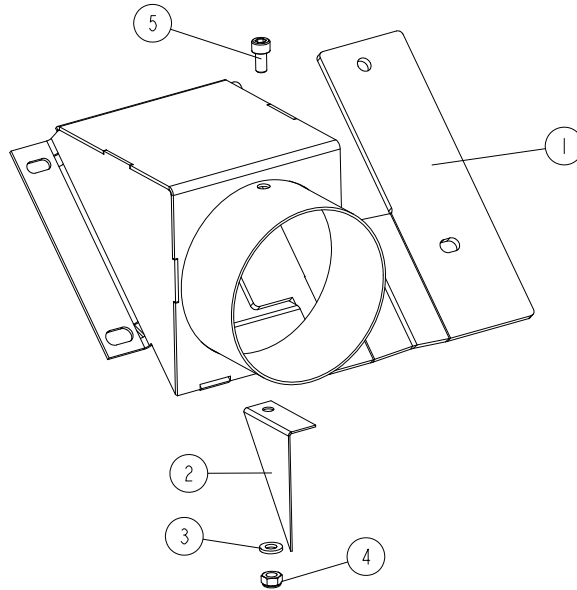
SCALE 0.140



REF.	DESCRIPTION (* indicates parts available in assemblies only)	PART #	QTY
1	BLOCK, CHAIN SLIDE	533681	2
2	WASHER, 6.4 FLAT ZINC	F81053-1	4
3	SCREW, M6X16 8.8 HEX SOCKET HEAD CAP ZINC	F81001-21	4

2.5 Chip duct

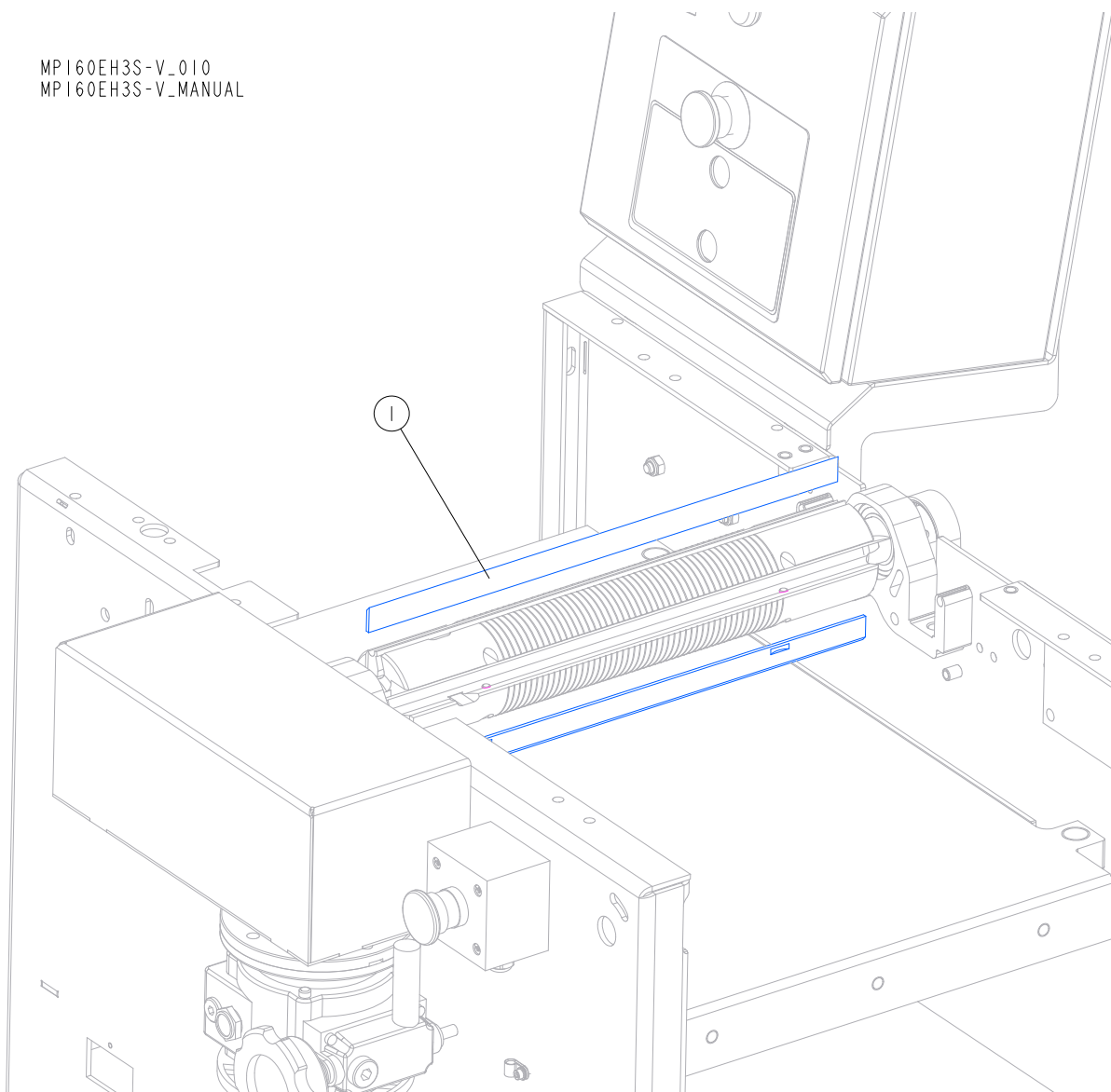
534180_001
 534180_MANUAL



REF.	DESCRIPTION (* indicates parts available in assemblies only)	PART #	QTY
-	DUCT, CHIP	534180	1
1	DUCT, CHIP	534175-1	1
2	PLATE, CHIP DUCT	534179	1
3	WASHER, 6.4 FLAT ZINC	F81053-1	1
4	NUT, M6-8-B HEX NYLON ZINC LOCK	F81031-2	1
5	SCREW, ISO 4762-M6X12-8.8-A2E HEX SOCKET HEAD CAP	F81001-87	1

2.6 Knife Set

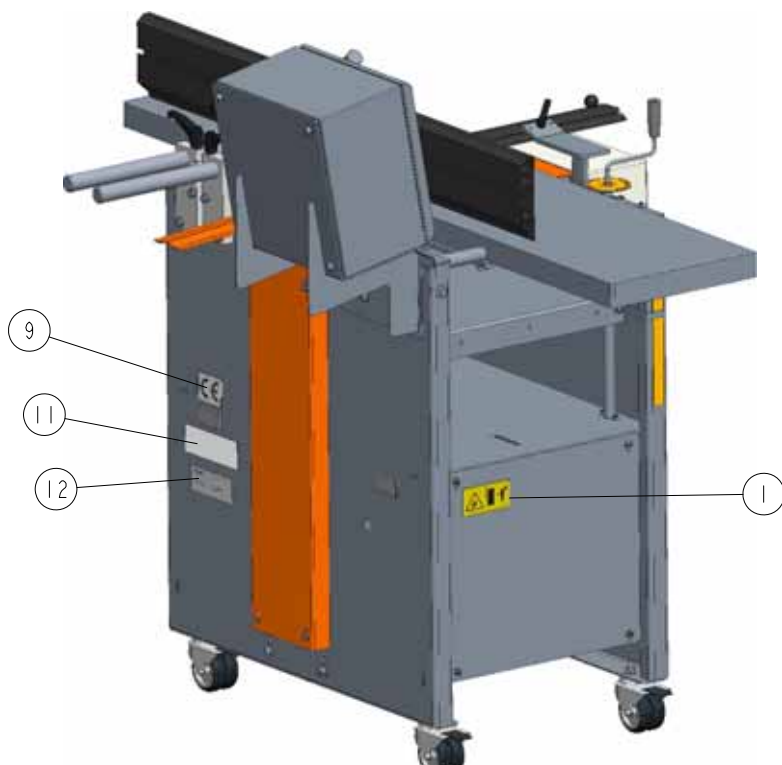
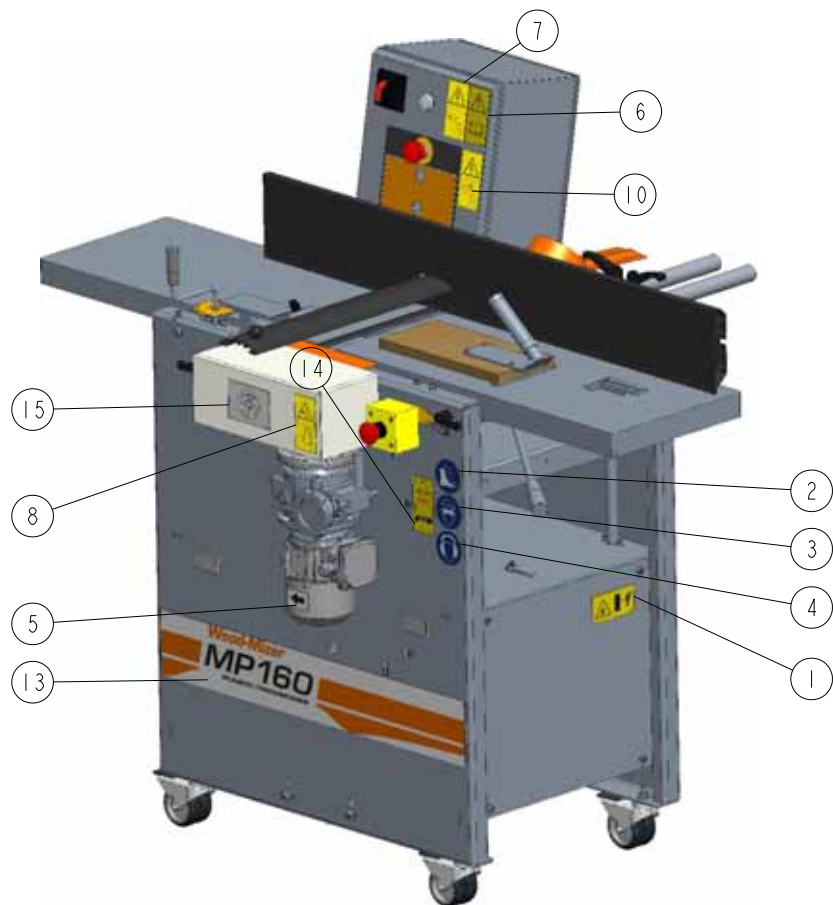
MP160EH3S-V_010
 MP160EH3S-V_MANUAL



REF	DESCRIPTION (* indicates parts available in assemblies only)	PART #	QTY
1	PLANER KNIFE WITH NOTCHES	TPK410.20MP	2

2.7 Decals

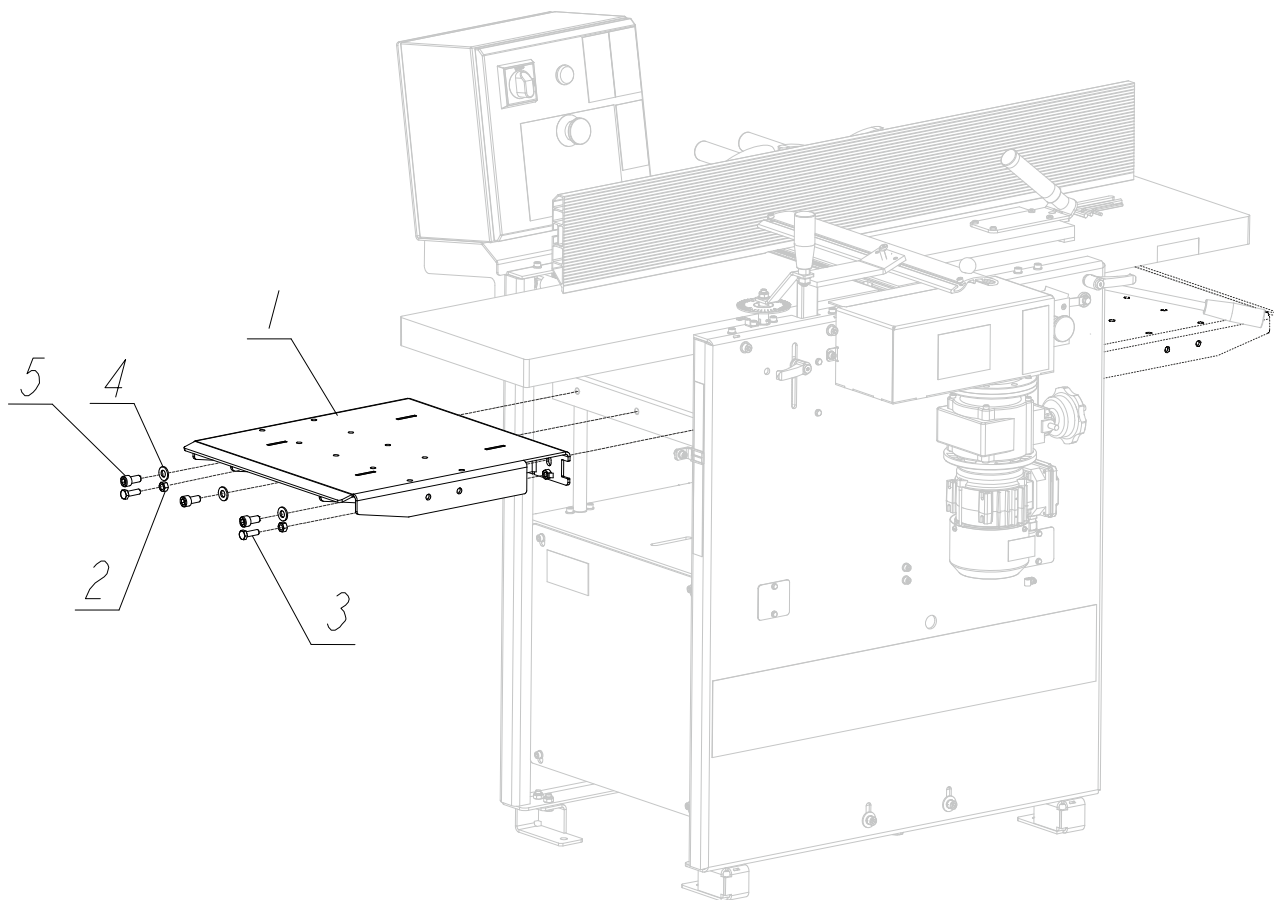
MP160EH3S-V_007
MP160EH3S-V_MANUAL



REF.	DESCRIPTION (* indicates parts available in assemblies only)	PART #	QTY
-	DECAL KIT, MP160	536229	1
1	DECAL, "KEEP A SAFE DISTANCE" PICTOGRAM	099221H	2
2	DECAL, "WEAR SAFETY BOOTS" PICTOGRAM, SMALL	501465-1	1
3	DECAL, "WEAR SAFETY GOGGLES" (PICTOGRAM) - SMALL	S12004G-1	1
4	DECAL, "WEAR PROTECTIVE EAR MUFFS" (PICTOGRAM) SMALL	S12005G-1	1
5	DECAL, MOTOR DIRECTION	S20097	1
6	DECAL, "READ THE OPERATOR'S MANUAL"	096317	1
7	DECAL, HAZARDOUS VOLTAGE INSIDE THE ELECTRIC BOX (PICTOGRAM)	096316	1
8	DECAL, "CLOSE GUARDS BEFORE OPERATING"	099220	1
9	DECAL, CE CERTIFIED SAWMILL - SMALL	P85070	1
10	DECAL, REMOVE THE PLUG BEFORE OPENING THE ELECTRIC BOX (PICTOGRAM)	096319	1
11	DECAL, VIN	VIN	1
12	DECAL, EUROPEAN HEADQUARTER ADDRESS	015841	1
13	DECAL, MP160 PLANER TYPE	536228	1
14	DECAL, "USE THE CONTINUOUSLY VARIABLE TRANSMISSION WHEN THE FEED IS TURNED ON" (PICTOGRAM)	535252	1
15	DECAL, MP160 SHAFT ROTATION DIRECTION	536401	1

2.8 MP160 Table Extension (Part No. 540581)

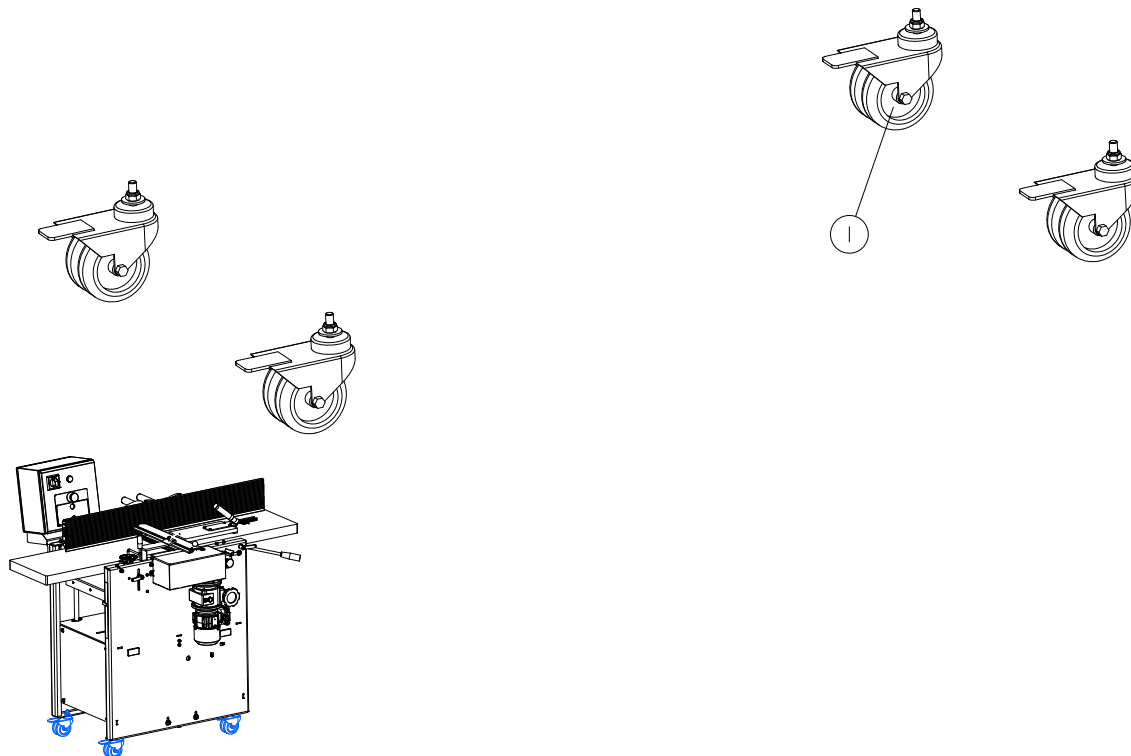
MP160EH3S-V_011
MP160EH3S-V_MANUAL



REF.	DESCRIPTION (* indicates parts available in assemblies only)	PART #	QTY
-	EXTENSION, MP160 TABLE - COMPLETE	540581	2
1	EXTENSION WELDMENT, MP160 TABLE	540580-1	1
2	NUT, M8-8-B HEX ZINC	F81032-1	2
3	BOLT, M8X25-8.8-B HEX HEAD FULL THREAD ZINC	F81002-5	2
4	WASHER, 10.5 FLAT ZINC	F81055-1	3
5	SCREW, M10X20 8.8 HEX SOCKET HEAD CAP ZINC	F81003-108	3

2.9 Castor wheels 535166

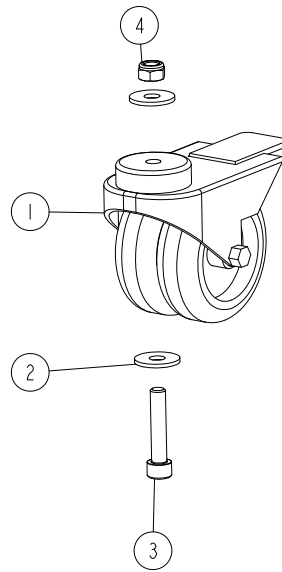
535166_001
535166_MANUAL



REF.	DESCRIPTION (* indicates parts available in assemblies only)	PART #	QTY	
-	CASTOR WHEELS, 4 PCS. KIT	535166	1	
1	CASTOR WHEEL ASSEMBLY See Section 2.10	535163	4	

2.10 Castor wheel assembly 535163

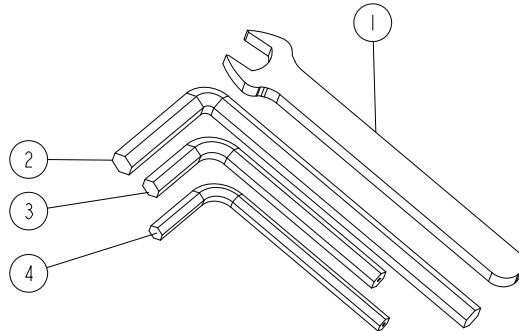
535163_001
535163_MANUAL



REF.	DESCRIPTION (* indicates parts available in assemblies only)	PART #	QTY	
-	CASTOR WHEEL ASSEMBLY	535163	1	
1	DUAL WHEEL CASTOR, KMDA-TPA 75S-HC	533510	1	
2	WASHER, ISO 7093-1-8-200 HV-A2E.	F81054-11	2	
3	SCREW, M8X40-8.8 HEX SOCKET HEAD CAP ZINC	F81002-29	1	
4	NUT, M8-8-B HEX NYLON ZINC LOCK	F81032-2	1	

2.11 Wrench Set (No. 535185)

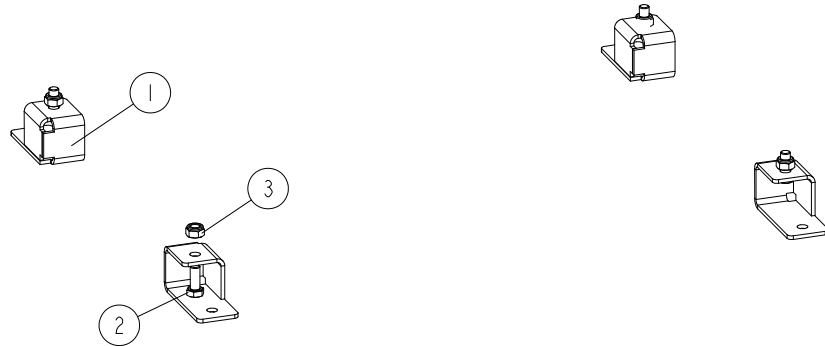
535185_001
535185_MANUAL



REF.	DESCRIPTION (* indicates parts available in assemblies only)	PART #	QTY	
-	WRENCH SET, MP160	535185	1	
1	WRENCH, 10 OPEN-END	541315	1	
2	WRENCH, 6 MM ALLEN	535186	1	
3	WRENCH, 5 ALLEN	092915	1	
4	WRENCH, 4MM ALLEN	093368	1	

2.12 Foot Set (No. 536996)

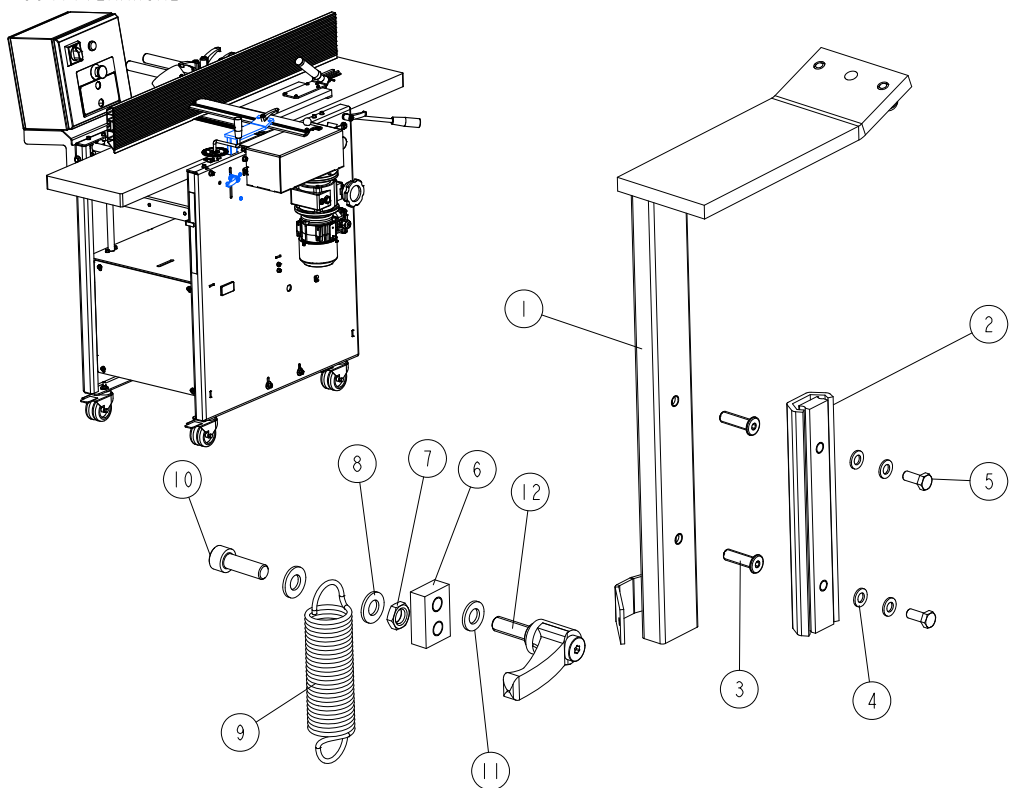
536996_001
536996_MANUAL



REF.	DESCRIPTION (* indicates parts available in assemblies only)	PART #	QTY	
-	FOOT SET	536996	1	
1	FOOT	535828-1	4	
2	BOLT, M8X20MM, HEX HEAD,GR 5.8 ZINC,	F81002-4	4	
3	NUT,M8-8-B,HEX,NYLON LOCK ZINC, NUT, M8-8-B HEX NYLON ZINC LOCK	F81032-2	4	

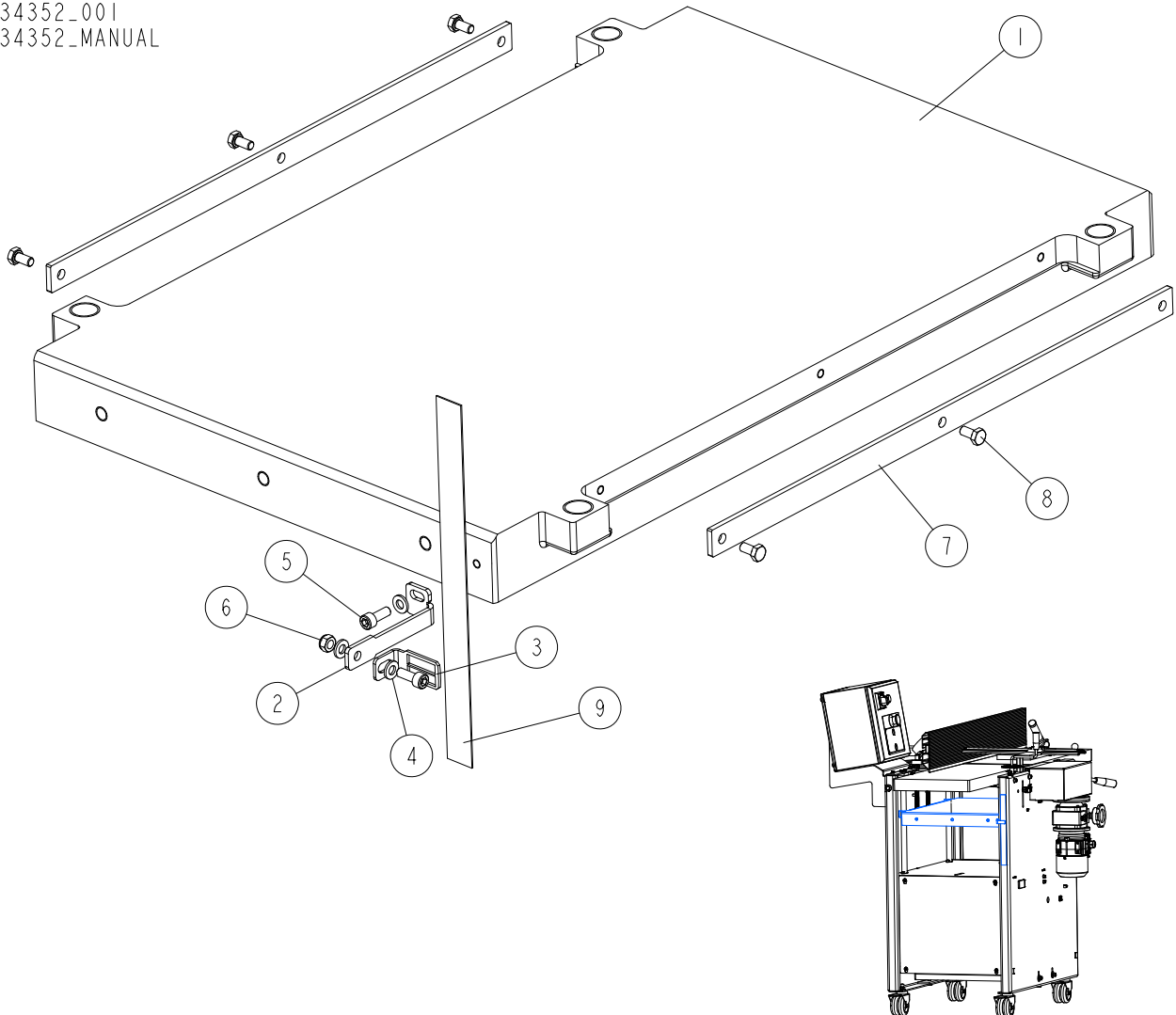
2.13 Protective guard adjustment assembly 534170

534170_001_A
534170_MANUAL



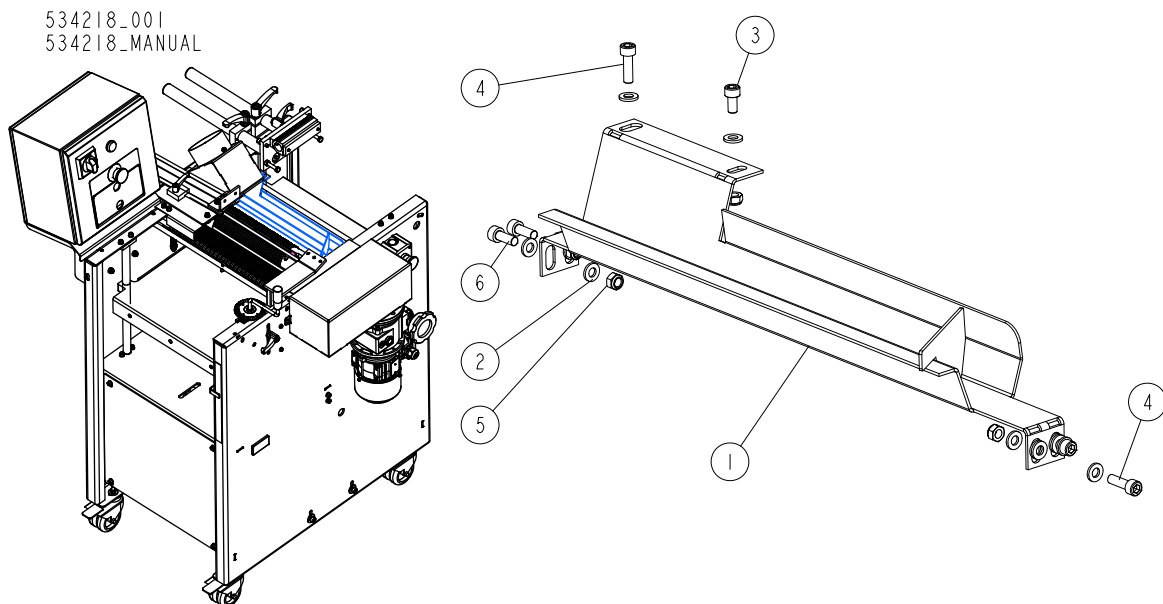
REF	DESCRIPTION (◆ indicates parts available in assemblies only)	PART #	QTY
-	PROTECTIVE GUARD ADJUSTMENT ASSEMBLY	534170	1
1	PROTECTIVE GUARD ADJUSTMENT ASSEMBLY	534155-1	1
2	LINEAR GUIDE	534167	1
3	SCREW, M6X20 HEX SOCKET HEAD CAP 10.9 BN	F81001-90	2
4	WASHER, M5, FLAT ZINC	F81052-1	4
5	BOLT, M5X12-5.8 HEX HEAD FULL THREAD ZIN	F81000-5	2
6	BLOCK, HOUSING MOUNT ASSEMBLY	534168-1	1
7	NUT, M8-04-FE/ZN ISO4035 HEX THIN	F81032-8	1
8	WASHER, 8.4 FLAT,ZINC	F81054-1	2
9	SPRING, 25X105X2,5	534169	1
10	SCREW, M8X25 8.8 HEX SOCKET HEAD CAP ZINC	F81002-21	1
11	WASHER, 8.4/16-1.6 PA66	546948	1
12	ADJUSTABLE HANDLE, ERZ.63P-M8X25	533591	1

2.14 Bottom table (No. 534352)

534352_001
534352_MANUAL

REF.	DESCRIPTION (* indicates parts available in assemblies only)	PART #	QTY
-	TABLE, BOTTOM - COMPLETE	534352	1
1	TABLE, MP160 BOTTOM	534351-1	1
-	INDICATOR ASSEMBLY, SCALE	537740	1
2	BRACKET, INDICATOR	537741-1	1
3	INDICATOR, SCALE	537739	1
3	WASHER, 6.4 FLAT ZINC	F81053-1	3
4	SCREW, M6X16 8.8 HEX SOCKET HEAD CAP ZINC	F81001-21	2
6	NAKRĘTKA M6-8-B-Fe/Zn5 PN-85/M-82175.	F81031-2	1
5	BAR	534392-1	2
6	BOLT, M6X12 8.8 HEX HEAD FULL THREAD ZINC	F81001-7	6
7	DECAL, VERTICAL SCALE	535116	1

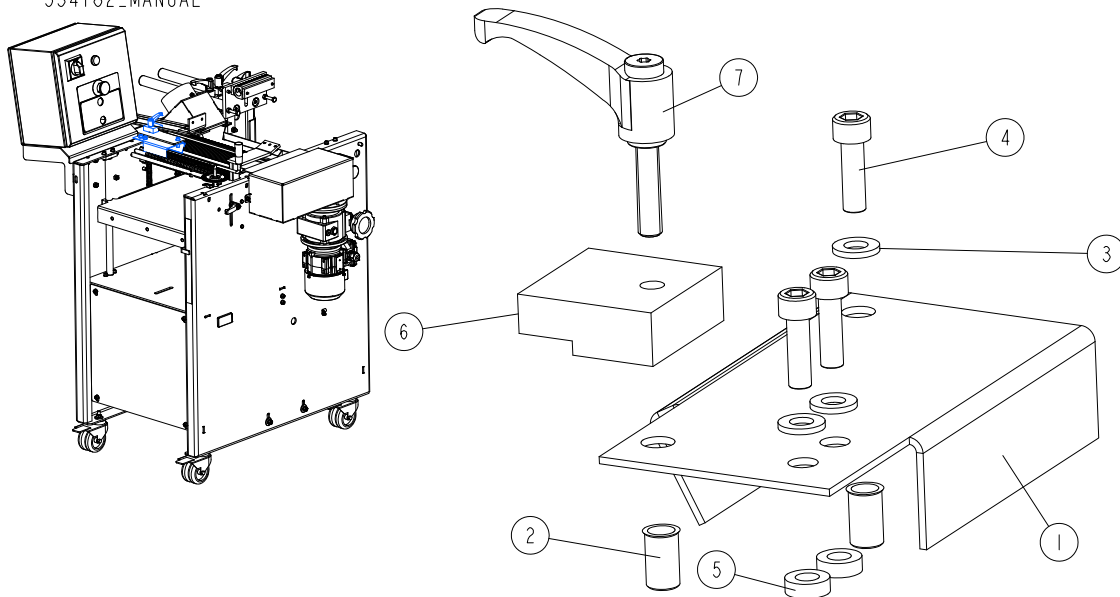
2.15 Chip channel assembly 534218



REF.	DESCRIPTION (* indicates parts available in assemblies only)	PART #	QTY
-	CHIP CHANNEL ASSEMBLY	534218	1
1	CHANNEL, CHIP W/PLATE	534217-1	1
2	WASHER, 6.4 FLAT ZINC	F81053-1	14
3	SCREW, ISO 4762-M6X12-8.8-A2E HEX SOCKET HEAD CAP	F81001-87	1
4	SCREW, M6X20 8.8 HEX SOCKET HEAD CAP ZINC	F81001-22	3
5	NUT, M6-8-B HEX NYLON ZINC LOCK	F81031-2	5
6	SCREW, M6X16 8.8 HEX SOCKET HEAD CAP ZINC	F81001-21	2

2.16 Small guard assembly 534182

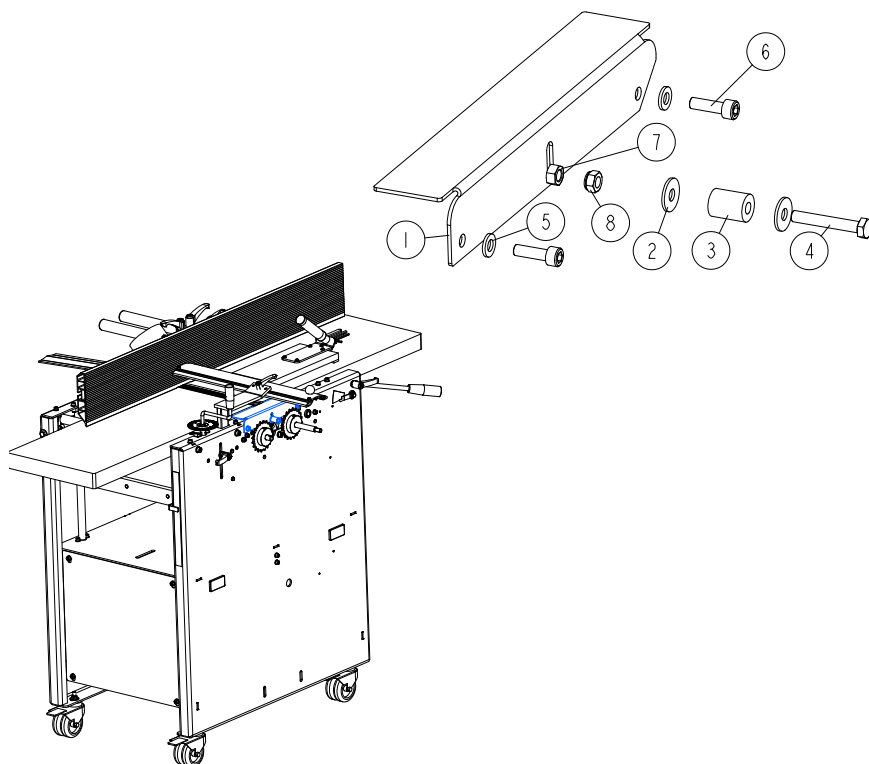
534182_001
534182_MANUAL



REF.	DESCRIPTION (* indicates parts available in assemblies only)	PART #	QTY
-	GUARD ASSEMBLY, SMALL	534182	1
1	GUARD, SMALL	534181-1	1
2	NUT, O-NIT-6-17-ZN RIVET	F81031-13	2
3	WASHER, 6.4 FLAT ZINC	F81053-1	3
4	SCREW, M6X20 8.8 HEX SOCKET HEAD CAP ZINC	F81001-22	3
5	WASHER, SPACER	534183	2
6	BLOCK, GUARD CLAMPING	534789-1	1
7	HANDLE, ERZ.44 P-M6X40 ADJUSTABLE	534790	1

2.17 Chain tensioner assembly 534171

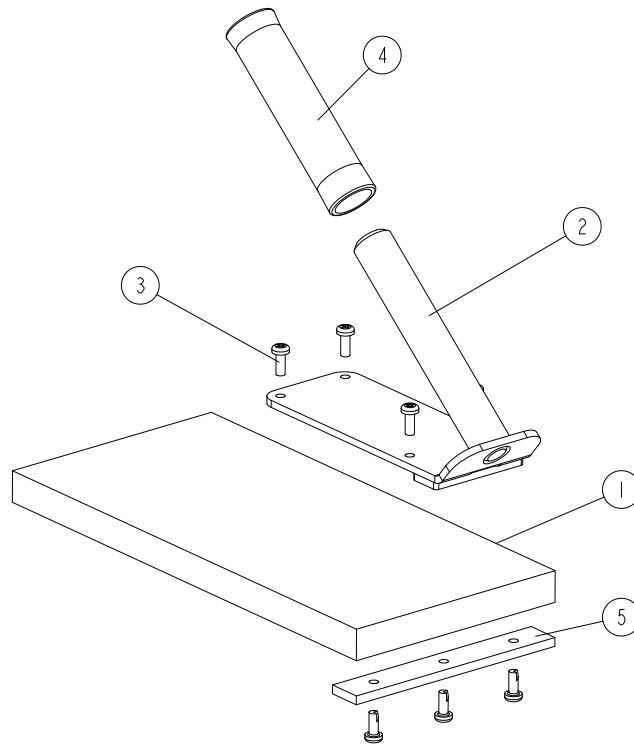
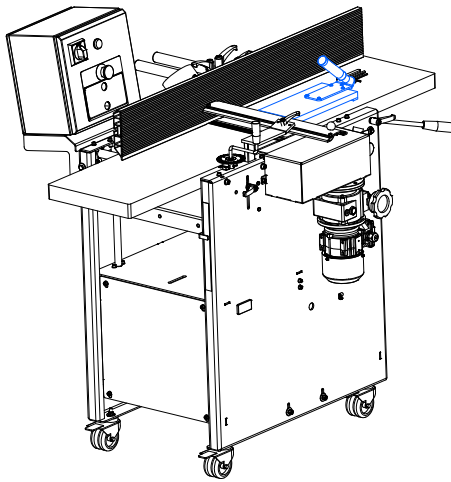
534171_001_A
534171_MANUAL



REF.	DESCRIPTION (* indicates parts available in assemblies only)	PART #	QTY	
-	CHAIN TENSIONER ASSEMBLY	534171	1	
1	PLATE, CHAIN TENSIONER	534157-1	1	
2	WASHER, 6.5 ZINC SPECIAL FLAT	F81053-11	2	
3	BUSHING, SPACER	R80671-6	1	
4	BOLT, M6X40MM HEX HEAD FULL THREAD ZINC	F81001-5	1	
5	WASHER, 6.4 FLAT ZINC	F81053-1	2	
6	SCREW, M6X20 8.8 HEX SOCKET HEAD CAP ZINC	F81001-22	2	
7	NUT, M6-8 HEX ZINC	F81031-1	1	
8	NUT, M6-8-B HEX NYLON ZINC LOCK	F81031-2	1	

2.18 Pusher 534166

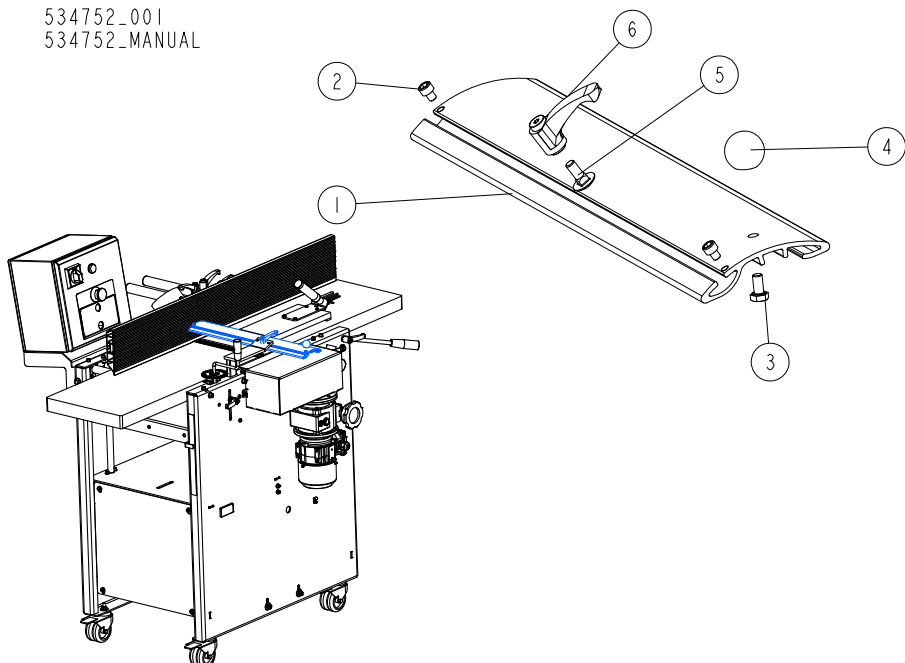
534166_001
534166_MANUAL



REF.	DESCRIPTION (* indicates parts available in assemblies only)	PART #	QTY	
-	PUSHER	534166	1	
1	PLATE, MANUAL CLAMP	534160	1	
2	MANUAL CLAMP ASSEMBLY	534165-1	1	
3	BOLT, #10-24X1/2 PH	F05015-17	7	
4	GRIP	086164	1	
5	PLATE, CLAMPING	534786-1	1	

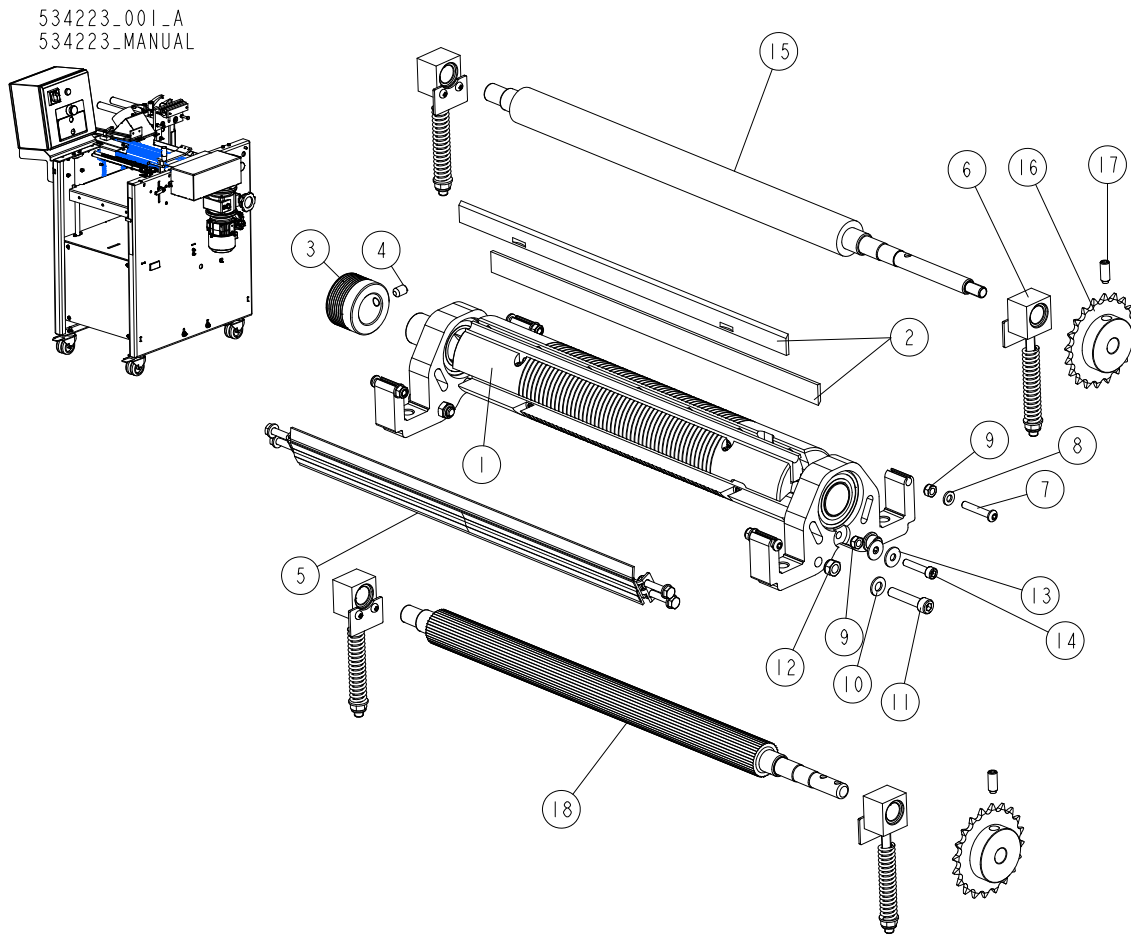
2.19 Cutter protective cover assembly 534752

534752_001
534752_MANUAL



REF.	DESCRIPTION (* indicates parts available in assemblies only)	PART #	QTY
-	CUTTER PROTECTIVE COVER ASSEMBLY	534752	1
1	CUTTER PROTECTIVE COVER	534230	1
2	SCREW, M5X6 8.8 HEX SOCKET HEAD CAP ZINC	F81000-94	2
3	BOLT, M6X12 8.8 HEX HEAD FULL THREAD ZINC	F81001-7	1
4	KNOB, DIN 319-KU-25-M6-C ROUND	534769	1
5	BOLT, M6X16 -8.8 CARRIAGE ZINC	F81001-36	1
6	HANDLE, ERZ.44 A-M6 ADJUSTABLE	534751	1

2.20 Cutter assembly 534223



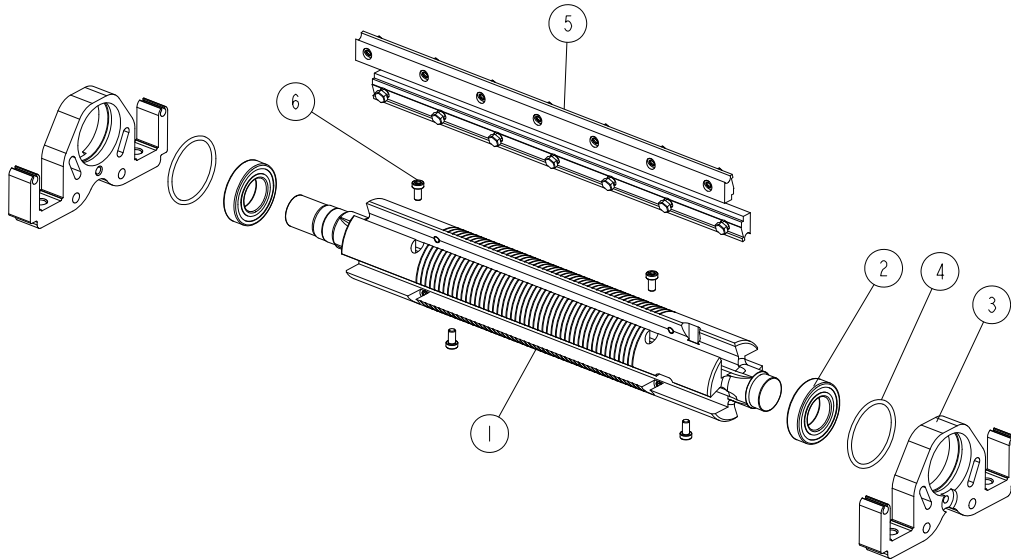
REF.	DESCRIPTION (* indicates parts available in assemblies only)	PART #	QTY
-	CUTTER ASSEMBLY	534223 ¹	1
1	CUTTER ASSEMBLY See Section 2.21	534785	1
2	PLANER KNIFE WITH NOTCHES	TPK410.20MP	2
3	PULLEY, MULTI-GROOVE SMALL ALUMINIUM	533586	1
4	SCREW, M8X12-45H FE/ZN DIN914 HEX SOCKET SET W/CONE POINT	F81002-105	1
5	CUTTER PROTECTIVE COVER See Section 2.22	534220	1
6	BEARING ASSEMBLY, SLIDE See Section 2.23	534225	4
7	SCREW, M6X35 ISO 7380 ZINC SLOTTED ROUND	F81001-91	4
8	WASHER, 6.4 FLAT ZINC	F81053-1	4
9	NUT, M6-8-B HEX NYLON ZINC LOCK	F81031-2	6
10	WASHER, 8.4 FLAT ZINC	F81054-1	4
11	SCREW, M8X40-8.8 HEX SOCKET HEAD CAP ZINC	F81002-29	4
12	NUT, M8-8-B HEX NYLON ZINC LOCK	F81032-2	4
13	WASHER, 6.5 ZINC SPECIAL FLAT	F81053-11	4
14	SCREW, M6X30-8.8 HEX SOCKET HEAD CAP ZINC	F81001-42	2
15	SHAFT W/PROTECTIVE COVER	533512	1
16	SPROCKET, Z=20; 1/2"X 3/16"(CHAIN 083-1)	533109	2
17	SCREW, M8X20-45H ISO4028 DIN915 SET	F81002-77	2
18	SHAFT, STEEL DRIVE	533513-1	1

¹ The assembly also includes:

- 534393 - chain 083-1;p-1/2";l ength=0.4953m (39-links)
- 533128 - master link for chain 083-1 - 1 pcs.

2.21 Cutter assembly 534785

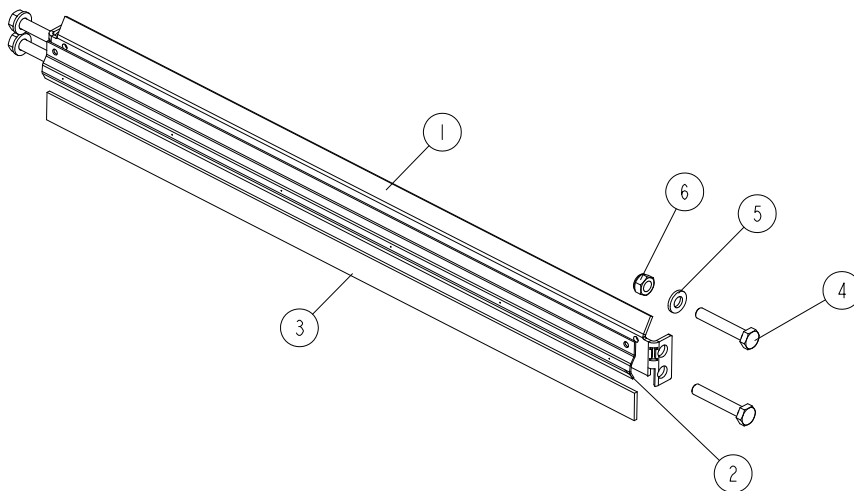
534785_001
534785_MANUAL



REF.	DESCRIPTION (* indicates parts available in assemblies only)	PART #	QTY
-	CUTTER ASSEMBLY	534785	1
1	SHAFT, MAIN	260-138	1
2	BEARING, 6006 2RSR	096191	2
3	HOUSING, CUTTER PLUMMER BLOCK	534222-1	2
4	O-RING, BEARING HOUSING	534224	2
5	WEDGE SET, MOUNTING	241-060	1
6	SCREW, M6X12-10.9 DIN 7984 LOW HEX SOCKET HEAD CAP	F81001-80	4

2.22 Cutter Guard (No. 534220)

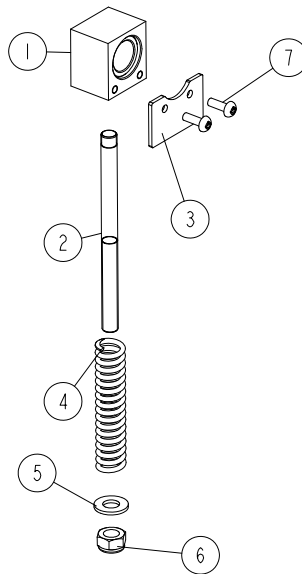
534220_001_A
534220_MANUAL



REF.	DESCRIPTION (* indicates parts available in assemblies only)	PART NO.	QTY
-	GUARD, CUTTER - COMPLETE	534220	1
	GUIDE ASSEMBLY, SAWDUST	535830	
	MOUNT ASSEMBLY, RUBBER STRIP	535827	
1	PLATE, RUBBER STRIP MOUNT	534159	1
2	PLATE, RUBBER STRIP CLAMP	534212	1
3	STRIP, RUBBER	534221	1
4	BOLT, M6x35-8.8 HEX HEAD ZINC	F81001-71	4
5	WASHER, 6.4 FLAT ZINC	F81053-1	4
6	NUT, M6-8-B HEX NYLON ZINC LOCK	F81031-2	4

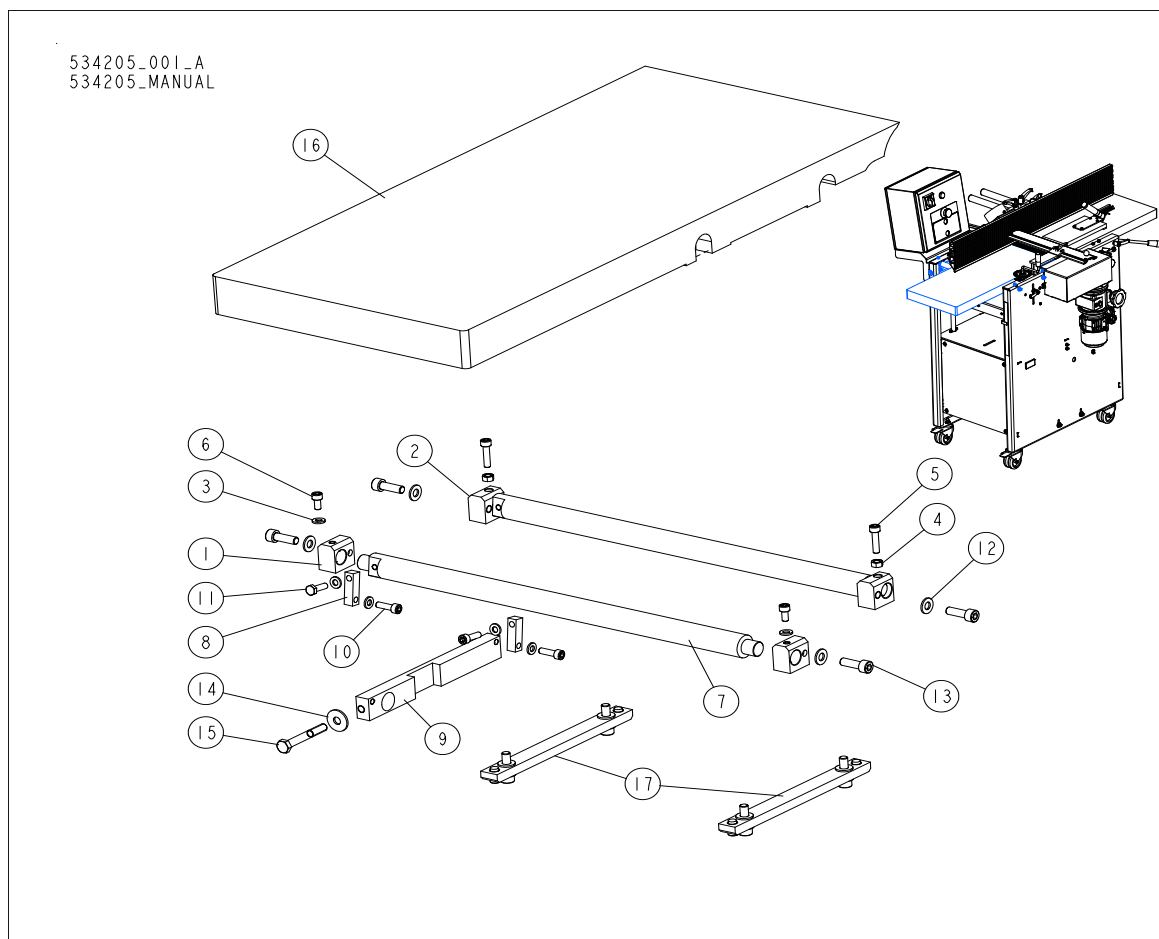
2.23 Bearing assembly 534225

534225_001_B
534225_MANUAL



REF	DESCRIPTION (◆ indicates parts available in assemblies only)	PART #	QTY	
-	SLIDE BEARING ASSEMBLY	534225	1	
1	SLIDE BLOCK ASSEMBLY	537575	1	
2	ROD, SHAFT TENSION	546898-1	1	
3	COVER, RUBBER	533516	1	
4	SPRING	533519-1	1	
5	WASHER, 8.4 FLAT,ZINC	F81054-1	1	
6	NUT, M8-8-B HEX NYLON ZINC LOCK	F81032-2	1	
7	SCREW M4X12 PHILLIPS ZC 5.8 DIN 7985	F81011-43	2	

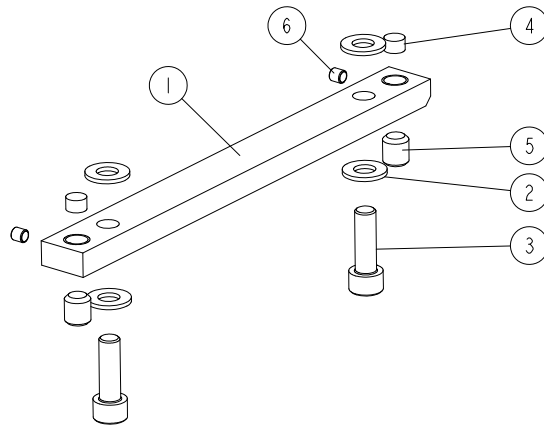
2.24 Upper outfeed table 534205



REF.	DESCRIPTION (* indicates parts available in assemblies only)	PART #	QTY
-	UPPER OUTFEED TABLE- COMPLETE	534205	1
1	BLOCK	534208	2
2	BLOCK	561711	2
3	WASHER, 6.4 FLAT ZINC	F81053-1	6
4	NUT, M6 8 HEX ZINC	F81031-1	2
5	SCREW, M6X25-8.8 HEX SOCKET HEAD CAP ZINC	F81001-41	2
6	SCREW, ISO 4762-M6X12-8.8-A2E HEX SOCKET HEAD CAP	F81001-87	2
7	SHAFT, ECCENTRIC	534204	2
8	BLOCK	534206-1	2
9	BAR	534207-1	1
10	SCREW, M6X20 8.8 HEX SOCKET HEAD CAP ZINC	F81001-22	3
11	BOLT, M6X20 8.8 HEX HEAD FULL THREAD ZINC	F81001-2	1
12	WASHER, 8.4 FLAT ZINC	F81054-1	4
13	SCREW, M8X25 8.8 HEX SOCKET HEAD CAP ZINC	F81002-21	4
14	WASHER, ISO 7093-1-8-200 HV-A2E.	F81054-11	1
15	BOLT, M8X60 8.8 HEX HEAD ZINC	F81002-54	1
16	TABLE, MP160 OUTFEED	534354-1	1
17	MOUNTING BAR ASSEMBLY See Section 2.25	534357	2

2.25 Mounting bar assembly 534357

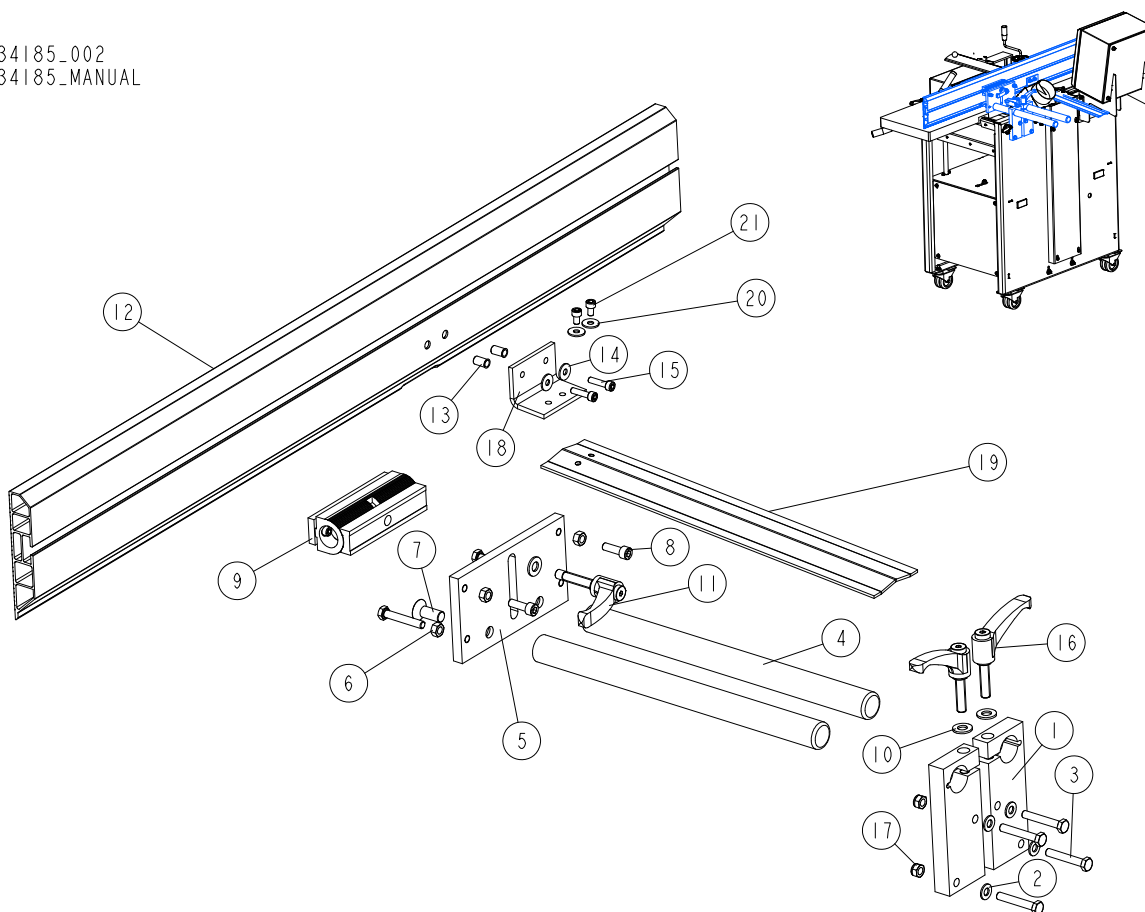
534357_001
534357_MANUAL



REF.	DESCRIPTION (* indicates parts available in assemblies only)	PART #	QTY	
-	MOUNTING BAR ASSEMBLY	534357	1	
1	BAR	534356-1	1	
2	WASHER, 8.4 FLAT ZINC	F81054-1	4	
3	SCREW, M8X25 8.8 HEX SOCKET HEAD CAP ZINC	F81002-21	2	
4	PIN, ADJUSTMENT	534358	2	
5	SCREW, M10X12-45H ZINC-PLATED SET	F81003-46	2	
6	SCREW, M5X5-45H-DIN 916 HEX SOCKET SET WITH CUP POINT	F81000-92	2	

2.26 Fence assembly 534185

534185_002
534185_MANUAL

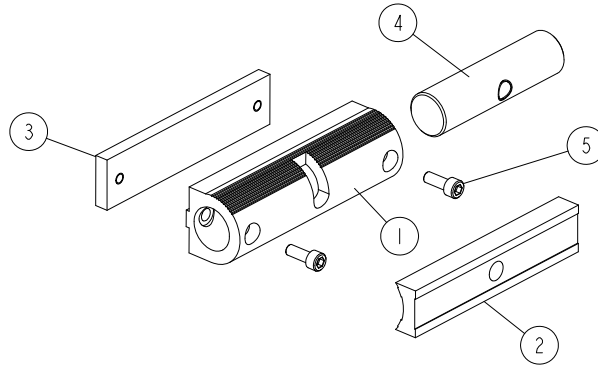


REF.	DESCRIPTION (* indicates parts available in assemblies only)	PART #	QTY
-	FENCE ASSEMBLY	534185	1
1	BRACKET, FENCE GUIDE MOUNTING	534184-1	2
2	WASHER, 8.4 FLAT ZINC	F81054-1	4
3	BOLT, M8X50 -8.8 HEX HEAD FULL THREAD ZINC	F81002-19	6
4	ROD	534187	2
5	PLATE, FENCE GUIDE	534186-1	1
6	NUT, M8-8-B HEX ZINC	F81032-1	4
7	SCREW, M12X30-10.9 FLAT SOCKET HEAD CAP	F81004-18	2
8	SCREW, M8X25 8.8 HEX SOCKET HEAD CAP ZINC	F81002-21	2
9	FENCE ADJUSTMENT ASSEMBLY See Section 2.27	534213	1
10	WASHER, 10.5 FLAT ZINC	F81055-1	3
11	HANDLE, ERZ.78 P-M10X50 ADJUSTABLE	534214	1
-	FENCE, GUIDE	534219	1
12	FENCE, GUIDE	534215	1
13	NUT, O-NIT-6-17-ZN RIVET	F81031-13	2
14	WASHER, 6.5 ZINC SPECIAL FLAT	F81053-11	2
15	SCREW, M6X25 -8.8-FE/ZN5 HEX SOCKET HEAD	F81001-41	2
16	HANDLE, ERZ.78 P-M10X40 ADJUSTABLE	533536	2

REF.	DESCRIPTION (* indicates parts available in assemblies only)	PART #	QTY	
17	NUT, M8-8-B HEX NYLON ZINC LOCK	F81032-2	4	
18	BRACKET, RUBBER CONNECTING	534788	1	
19	PLATE, CUTTER COVER	534787-1	1	
20	WASHER, 6.5 ZINC SPECIAL FLAT	F81053-11	2	
21	SCREW, M6X10 8.8 HEX SOCKET HEAD CAP ZINC	F81001-12	2	

2.27 Adjuster Assembly, Fence Panel (No. 534213)

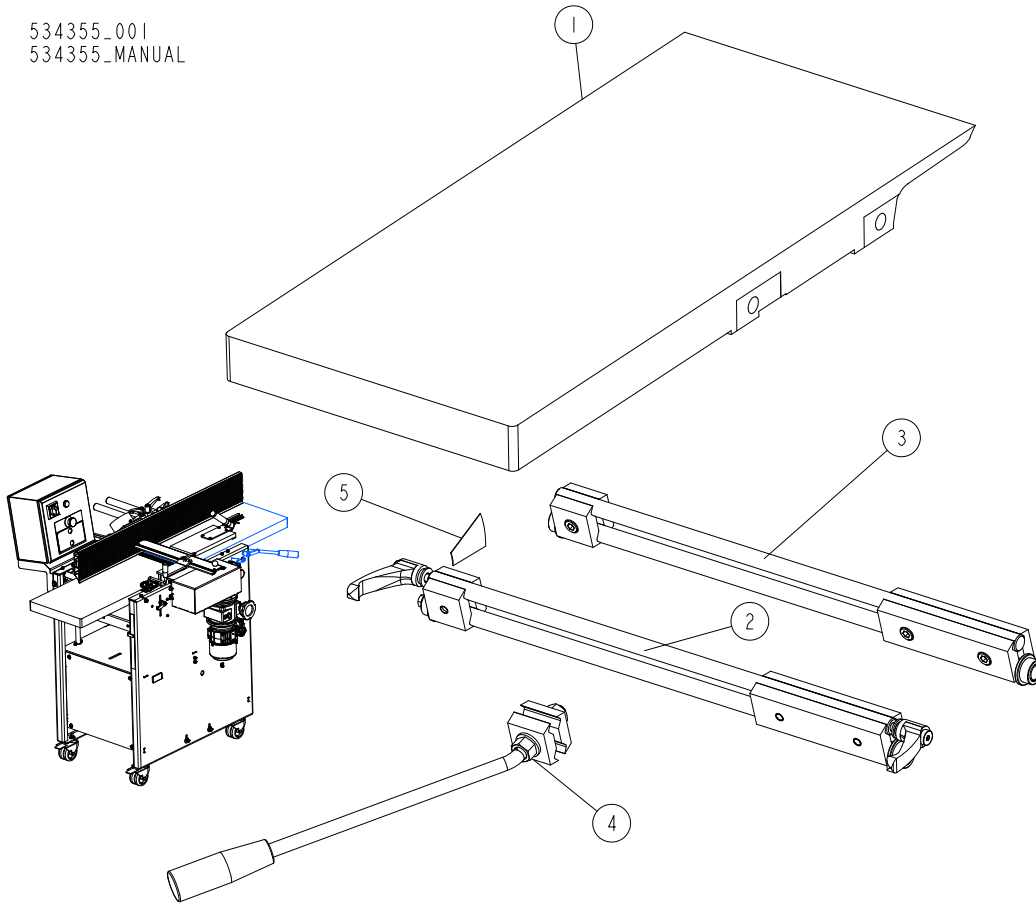
534213_001
534213_MANUAL



REF.	DESCRIPTION (* indicates parts available in assemblies only)	PART #	QTY	
-	ADJUSTER ASSEMBLY, FENCE PANEL	534213	1	
1	BLOCK, PANEL ADJUSTMENT (2)	534189	1	
2	BLOCK, ANGLE ADJUSTMENT (1)	534188	1	
3	PLATE, K3 PANEL ADJUSTMENT	534210-1	1	
4	SHAFT, PANEL ADJUSTER	534211	1	
5	SCREW, M6X16 8.8 HEX SOCKET HEAD CAP ZINC	F81001-21	2	

2.28 Upper infeed table 534355

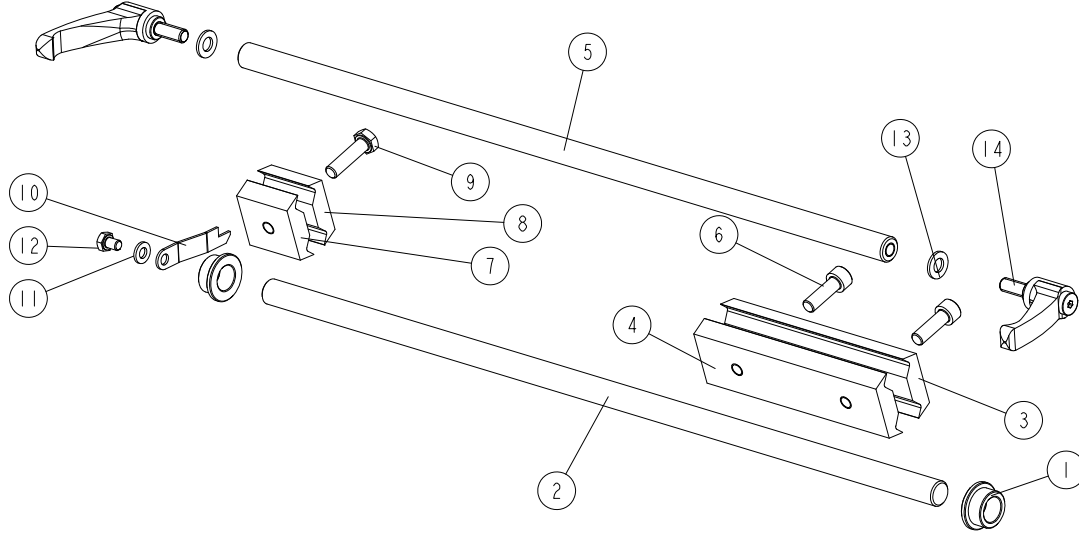
534355_001
534355_MANUAL



REF.	DESCRIPTION (* indicates parts available in assemblies only)	PART #	QTY	
-	TABLE, UPPER INFEED - COMPLETE	534355	1	
1	TABLE, MP160 INFEED	534353-1	1	
2	FRONT GUIDE RAIL ASSEMBLY, COMPLETE See Section 2.29	534375	1	
3	REAR GUIDE RAIL ASSEMBLY, COMPLETE See Section 2.30	534376	1	
4	HANDLE, INFEED TABLE ADJUSTMENT See Section 2.31	534380	1	
5	DECAL	534203	1	

2.29 Front guide rail assembly 534375

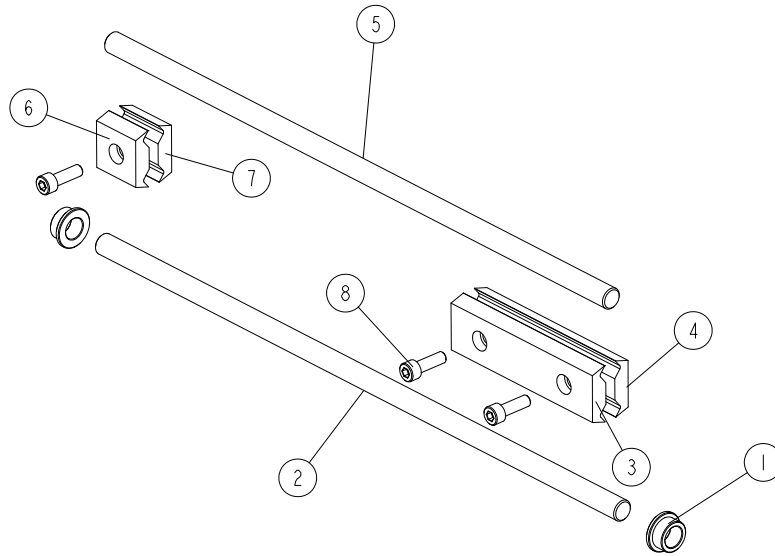
534375_001_A
534375_MANUAL



REF	DESCRIPTION (◆ indicates parts available in assemblies only)	PART #	QTY
-	FRONT GUIDE RAIL ASSEMBLY, COMPLETE	534375	1
1	BUSHING 15/22-12 FLANGED 28-3	534359	2
2	SHAFT, N15X512	534371	1
3	BRACKET, GUIDE RAIL RIGHT	534363-1	1
4	BRACKET, GUIDE RAIL RIGHT	534364-1	1
5	SHAFT, N15X492	534372	1
6	SCREW, M8X25 8.8 HEX SOCKET HEAD CAP ZINC	F81002-21	2
7	BRACKET, GUIDE RAIL	534362-1	1
8	BRACKET, GUIDE RAL	534365-1	1
9	BOLT M8X30 HH ZC FT 8.8 DIN 933	F81002-7	1
10	INDICATOR, SCALE	534377-1	1
11	WASHER, M6, FLAT,ZINC	F81053-1	1
12	BOLT, M6X8-8.8 HEX HEAD FULL THREAD ZINC	F81001-33	1
13	WASHER, 8.4/16-1.6 PA66	546948	2
14	HAND LEVER, ERZ. 63P-M8X20 ADJUSTABLE	534378	2

2.30 Rear guide rail assembly 534376

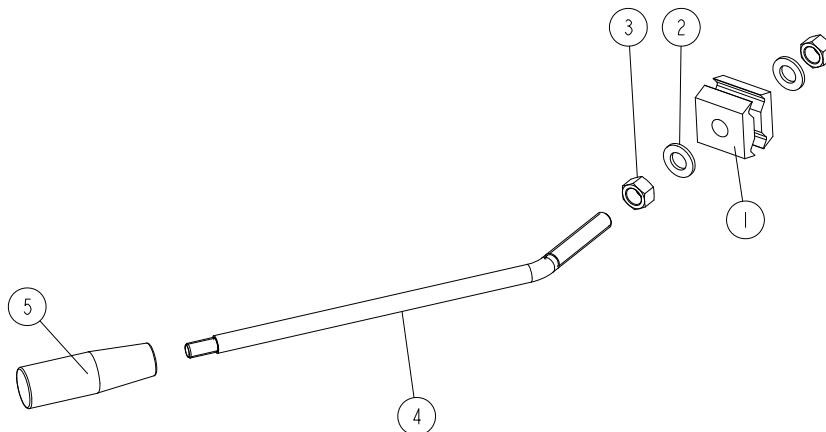
534376_001
534376_MANUAL



REF.	DESCRIPTION (* indicates parts available in assemblies only)	PART #	QTY
-	REAR GUIDE RAIL ASSEMBLY, COMPLETE	534376	1
1	BUSHING, 15/22-12 FLANGED 28-3	534359	2
2	SHAFT, LLN15X512	534374	1
3	BRACKET, GUIDE RAIL RIGHT	534363-1	1
4	BRACKET, GUIDE RAIL RIGHT	534364-1	1
5	SHAFT, LLN15X492	534373	1
6	BRACKET, GUIDE RAIL	534361-1	1
7	BRACKET, GUIDE RAIL	534362-1	1
8	SCREW, M8X25 8.8 HEX SOCKET HEAD CAP ZINC	F81002-21	3

2.31 Infeed table adjustment handle 534380

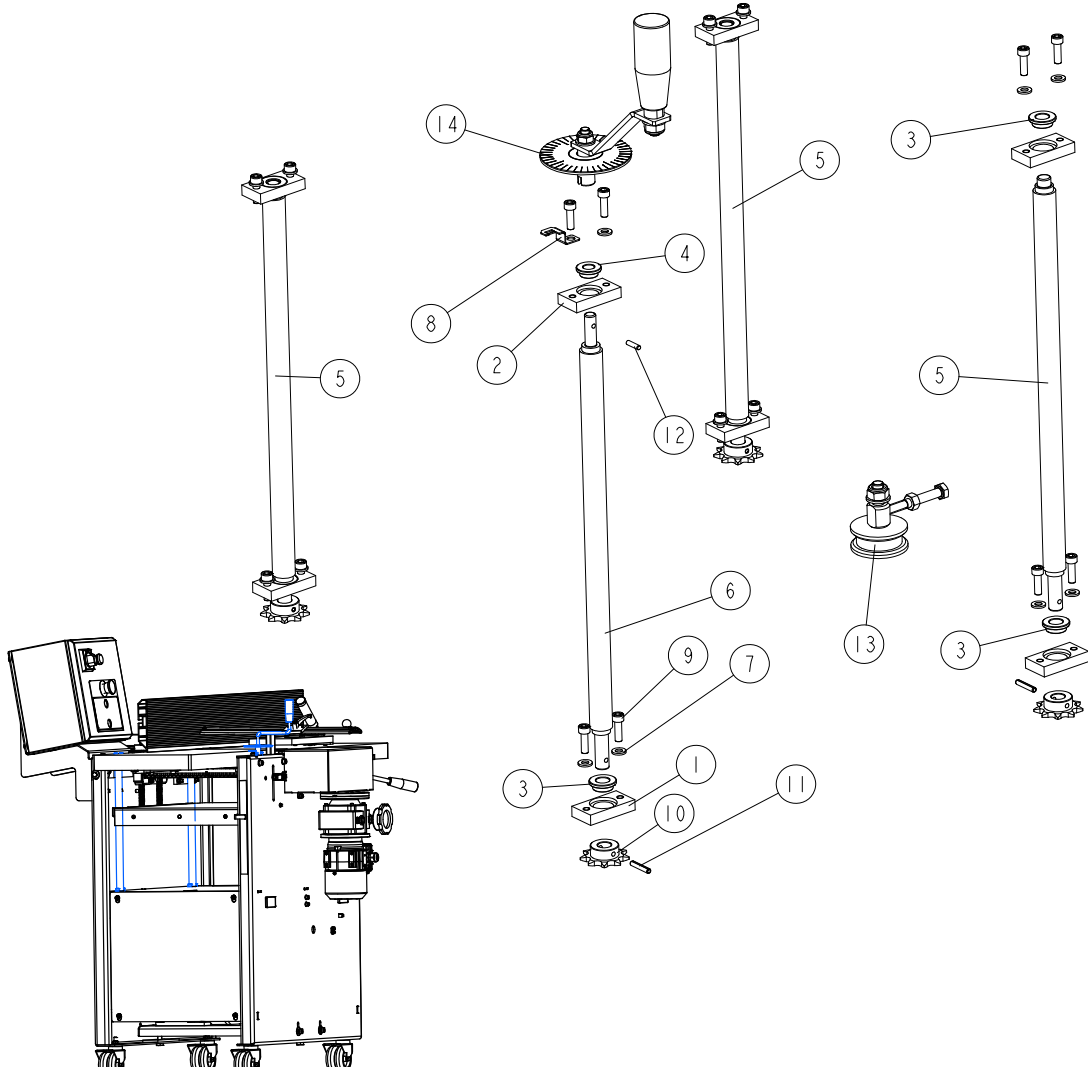
534380_001
534380_MANUAL



REF.	DESCRIPTION (* indicates parts available in assemblies only)	PART #	QTY
-	INFEED TABLE ADJUSTMENT HANDLE, COMPLETE	534380	1
1	BRACKET, HANDLE	534366-1	2
2	WASHER, 13 FLAT ZINC	F81056-1	2
3	NUT, M12-8 HEX ZINC	F81034-1	2
4	ROD, M12	534379-1	1
5	GRIP, K1202.11028 C TAPERED	534381	1

2.32 Up/down Assembly 534385

534385_001_A
534385_MANUAL



REF.	DESCRIPTION (* indicates parts available in assemblies only)	PART #	QTY
-	UP/DOWN ASSEMBLY	534385 ¹	1
1	BLOCK	533113-1	7
2	BLOCK 2	546903-1	1
3	BUSHING, 12/18-8 FLANGED 24-3	546901	7
4	BUSHING, 10/16-8 FLANGED 22-3	546902	1
5	SCREW, TR20X4 L=424 ACME	534386	3
6	SCREW, TR20X4 L=445 ACME	534387	1
7	WASHER, 6.4 FLAT ZINC	F81053-1	15
8	INDICATOR, SCALE	534395	1
9	SCREW, M6X20 8.8 HEX SOCKET HEAD CAP ZINC	F81001-22	16
10	SPROCKET, Z=9; 1/2"X 3/16"(CHAIN 083-1)	533111	4
11	PIN, 4X24 ZINC-PLATED SPRING TYPE	F81044-13	4
12	PIN, ISO8734-4H6X16-ST HARDENED ROLL	F81048-85	1

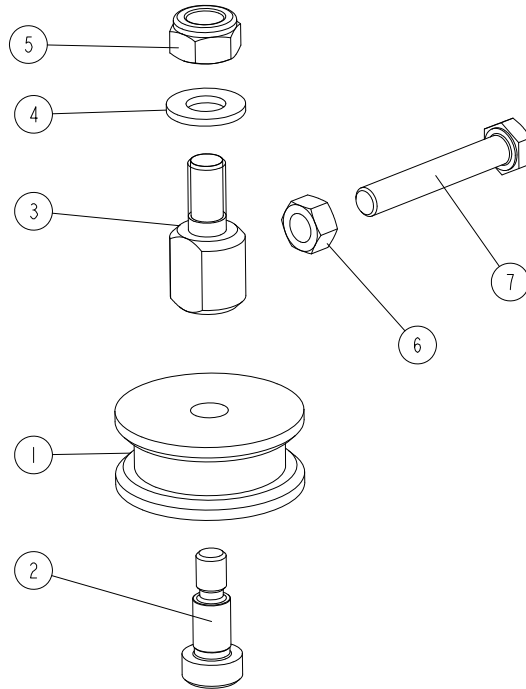
REF.	DESCRIPTION (* indicates parts available in assemblies only)	PART #	QTY	
13	TENSIONER, CHAIN - COMPLETE See Section 2.33	534390	1	
14	KNOB AND SCALE ASSEMBLY See Section 2.34	534760	1	

¹ The assembly also includes:

-534391 - chain 083-1;p-1/2"; length=2.0193m (159-links)

-533128 - master link for chain 083-1

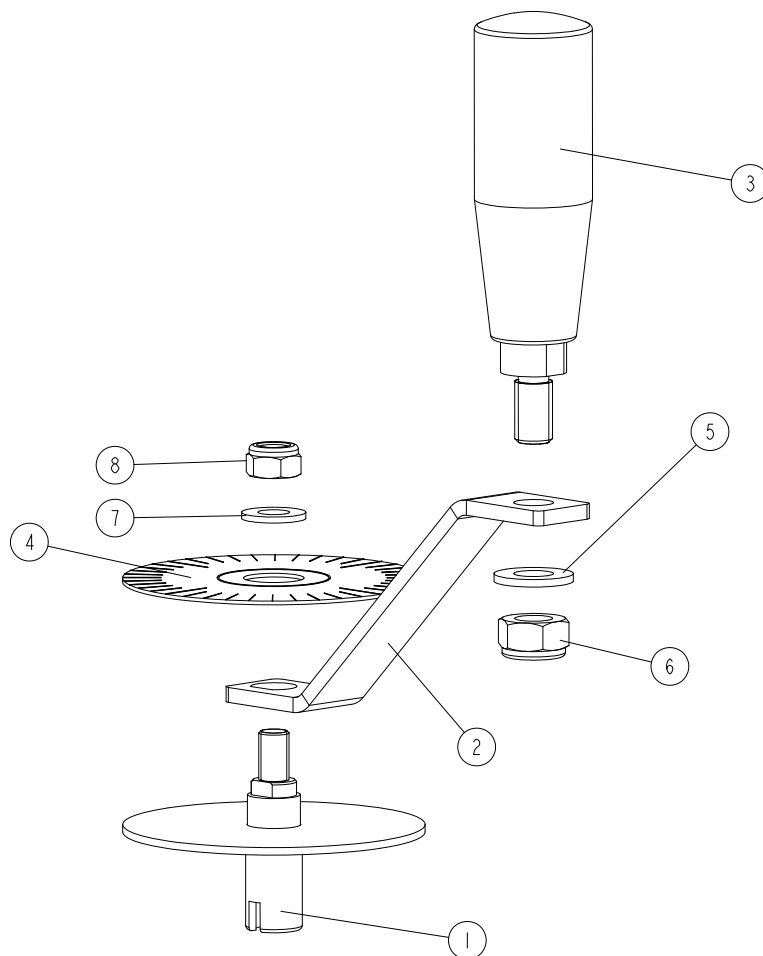
2.33 Chain Tensioner (No. 534390)

534390_001
534390_MANUAL

REF.	DESCRIPTION (* indicates parts available in assemblies only)	PART #	QTY
-	TENSIONER, CHAIN - COMPLETE	534390	1
1	ROLLER, CHAIN TENSIONER	533576	1
2	BOLT, ISO 7379-10-M8-16 12.9 SHOULDER	F81003-139	1
3	BOLT, MOUNTING	534388-1	1
4	WASHER, 10.5 FLAT ZINC	F81055-1	1
5	NUT, M10-8-B HEX NYLON ZINC LOCK	F81033-1	1
6	NUT, M8-8-B HEX ZINC	F81032-1	1
7	BOLT, M8X50 -8.8 HEX HEAD FULL THREAD ZINC	F81002-19	1

2.34 Knob and scale assembly 534760

534760_001_A
534760_MANUAL

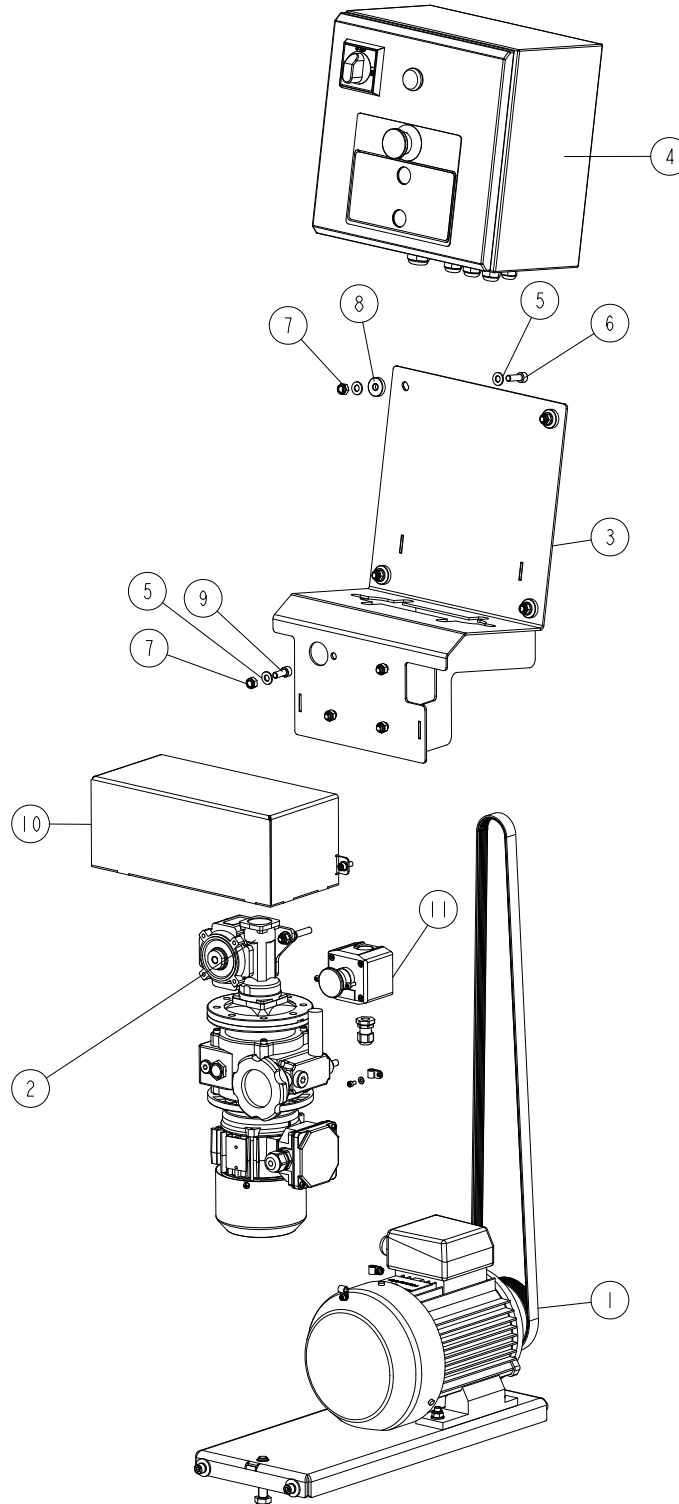


Ref	DESCRIPTION (* indicates parts available in assemblies only)	PART #	QTY
-	HANDLE WITH SHIELD	534760	1
1	KNOB ASSEMBLY	534758-1	1
2	HANDLE PLATE	541457-1	1
3	REVOLVING GRIP	535974	1
4	DECAL, MP200 ROUND SCALE	533577	1
5	WASHER 10,5 ZC DIN 126 ISO 7091	F81055-1	1
6	NUT M10 ZC 8 NYLOCK DIN 982 ISO 7040	F81033-1	1
7	WASHER 8,4 ZC DIN 126 ISO 7091	F81054-1	1
8	NUT M8 ZC 8 NYLOCK DIN 982 ISO 7040	F81032-2	1

SECTION 3 Motor kits, 534198, 534197

3.1 MP160 Motor Kits PRO 534198, ECO 534197

534198_001
 534198_MANUAL



REF.	DESCRIPTION (* indicates parts available in assemblies only)	PART #	QTY
-	MOTOR KIT, PRO MP160EH 3x400V CE	534198	

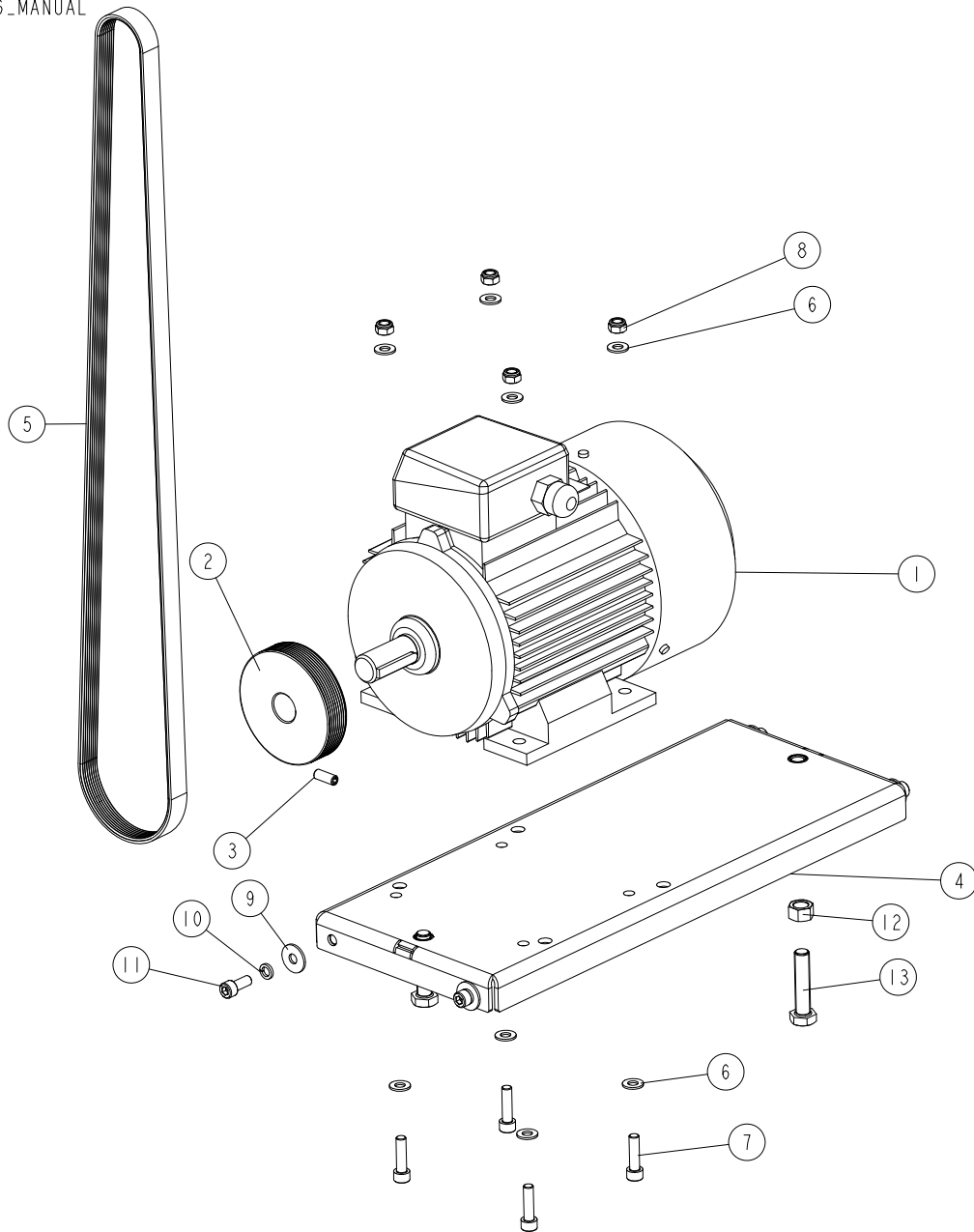


Motor kits, 534198, 534197

MP160 Motor Kits PRO 534198, ECO 534197

REF.	DESCRIPTION (* indicates parts available in assemblies only)	PART #	QTY
	MOTOR KIT, PRO MP160EB 3x230V CE	534198-2	
	MOTOR KIT, PRO MP160EBU 3x230V UL	534198-2U	
	MOTOR KIT, PRO MP160EC 3x460V CE	534198-4	
	MOTOR KIT, PRO MP160ECU 3x400V UL	534198-4U	
	MOTOR KIT, PRO MP160EA 1x230V CE	534198-6	
	MOTOR KIT, PRO MP160EAU 1x230V UL	534198-6U	
-	MOTOR KIT, ECO MP160EH 3x400V CE	534197	
	MOTOR KIT, ECO MP160EB 3x230V CE	534197-2	
	MOTOR KIT, ECO MP160EBU 3x230V UL	534197-2U	
	MOTOR KIT, ECO MP160EC 3x460V CE	534197-4	
	MOTOR KIT, ECO MP160ECU 3x400V UL	534197-4U	
	MOTOR KIT, ECO MP160EA 1x230V CE	534197-6	
	MOTOR KIT, ECO MP160EAU 1x230V UL	534197-6U	
1	DRIVE, MP200 SIDE CUTTER See Section 3.2	534196	1
2	DRIVE, MP160 PRO FEED See Section 3.4	533650-160	1
	DRIVE, MP160 ECO FEED See Section 3.3	533638	1
3	MOUNT ASSEMBLY, ELECTRIC BOX	534762-1	1
4	BOX, ELECTRIC - COMPLETE See Section 3.5	532805	1
5	WASHER, 8.4 FLAT ZINC	F81054-1	12
6	SCREW, M8X25 8.8 HEX SOCKET HEAD CAP ZINC	F81002-21	4
7	NUT, M8-8-B HEX NYLON ZINC LOCK	F81032-2	8
8	WASHER, 8.5/25-6 POLYAMIDE	523952	4
9	SCREW, M8X20-8.8 HEX SOCKET HEAD CAP ZINC	F81002-30	4
10	GUARD, MP160 PRO See Section 3.6	534776	1
11	SWITCH ASSEMBLY, MP160 EMERGENCY STOP See Section 3.7	535669	1

3.2 Cutting Head Drive 534196

534196_001_A
534196_MANUAL

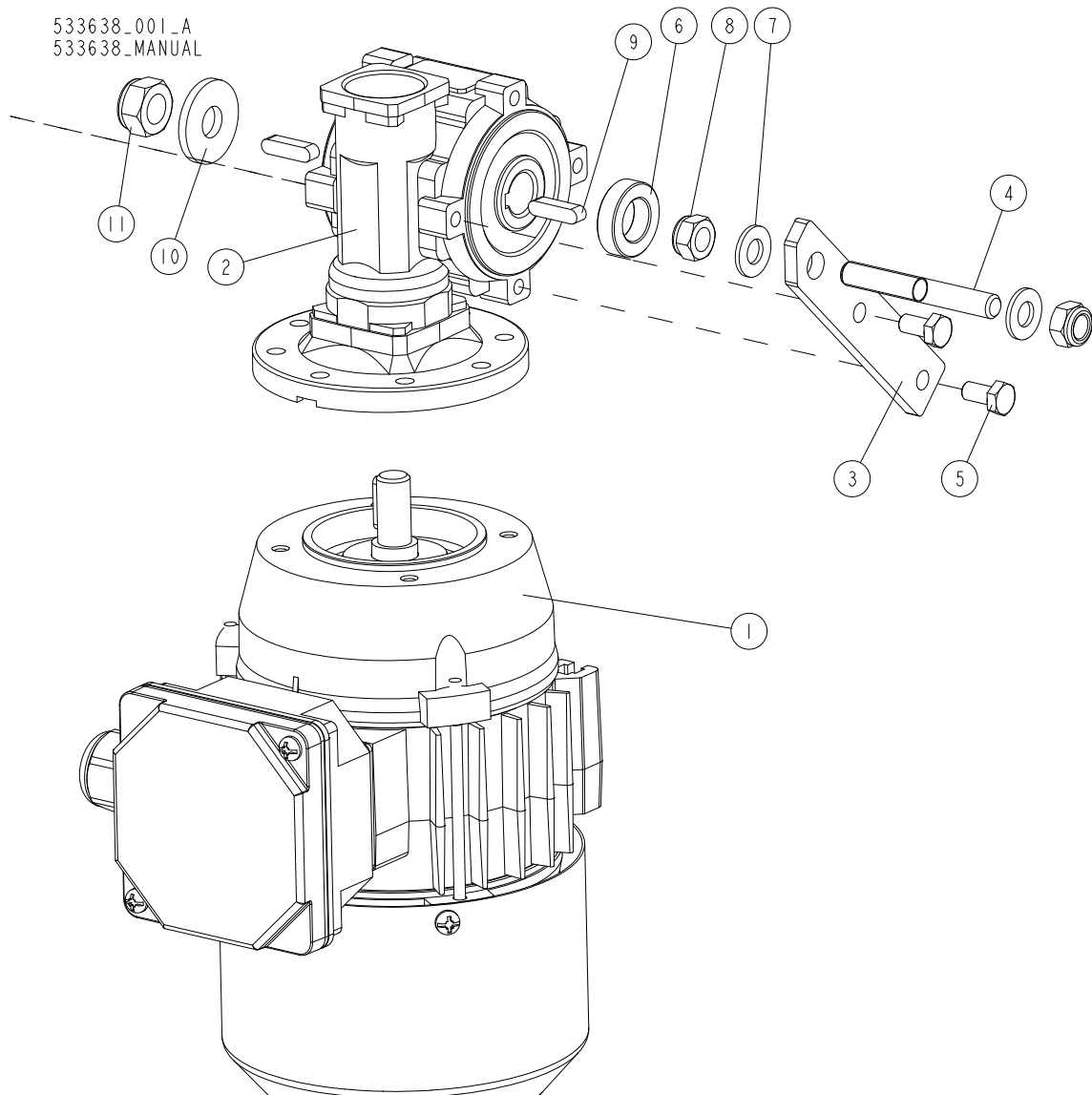
Ref	DESCRIPTION (* indicates parts available in assemblies only)	PART #	QTY
-	CUTTING HEAD DRIVE	534196	1
1	MOTOR 3SIE90L2A, 3KW, 2900 R.P.M, 50HZ	537386	1
2	PULLEY, MULTI-GROOVE ALUMINIUM	533585	1
3	SCREW M8X20 HSS W/FLAT POINT ZC 45H DIN 913	F81002-103	1
4	MOTOR PLATE WELDED / PAINT	534200-1	1
5	BELT, 8 PJ 1549 MULTI-RIBBED	534201	1
6	WASHER 8,4 ZC DIN 126 ISO 7091	F81054-1	8
7	SCREW M8X30 SHCS ZC 8.8 DIN 912 ISO 4762	F81002-31	4
8	NUT M8 ZC 8 NYLOCK DIN 982 ISO 7040	F81032-2	4
9	WASHER 8,5 ZC FENDER DIN 9021 ISO 7093	F81054-11	4



Cutting Head Drive 534196

Ref	DESCRIPTION (* indicates parts available in assemblies only)	PART #	QTY	
10	WASHER 8,2 ZC SPRING LOCK DIN 127	F81054-4	4	
11	SCREW M8X20 SHCS ZC 8.8 DIN 912 ISO 4762	F81002-30	4	
12	NUT M12 ZC 8 DIN 934	F81034-1	2	
13	BOLT M12X55 HH ZC FT 8.8 DIN 933	F81004-43	2	

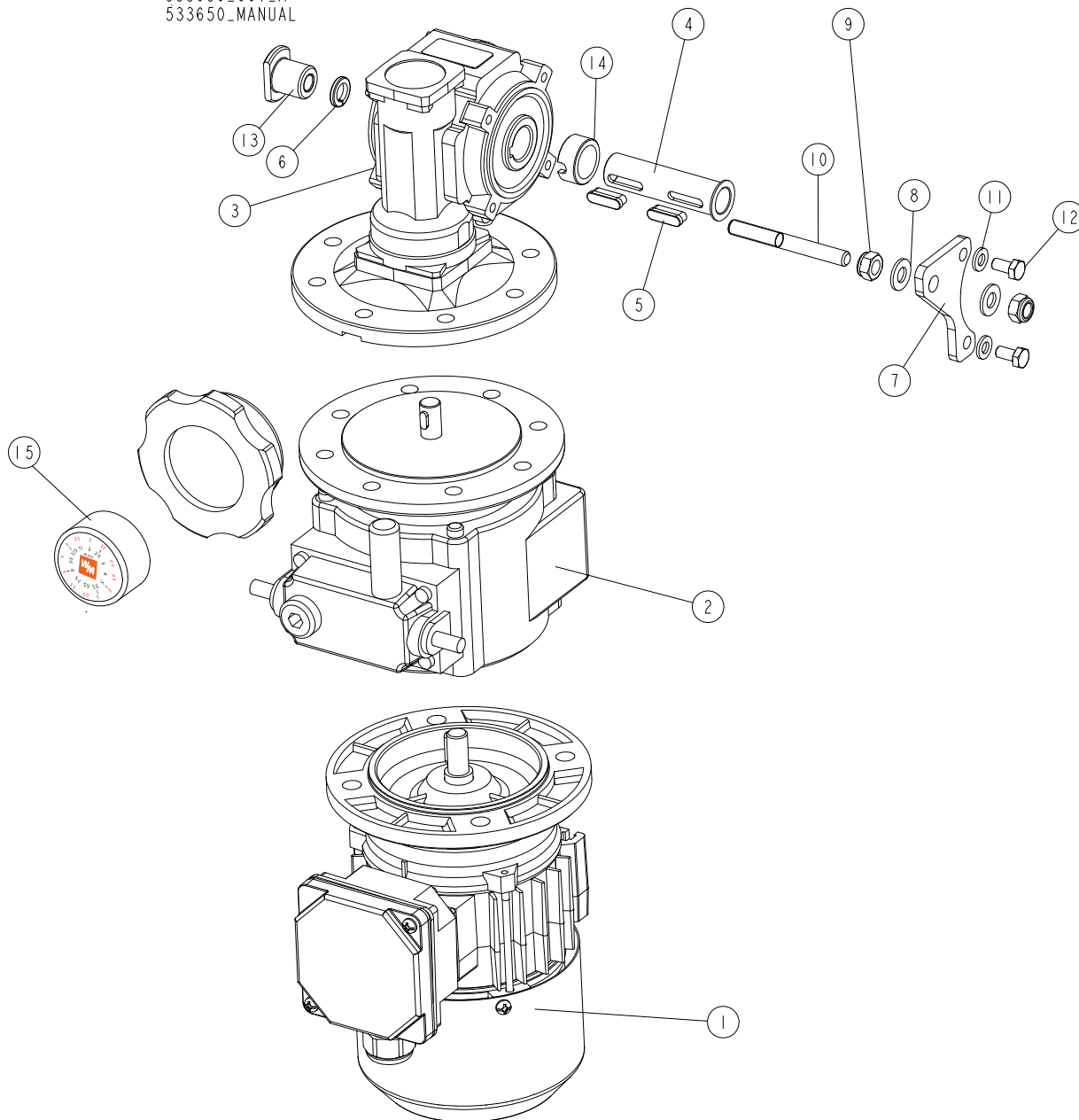
3.3 ECO Feed drive 533638



Ref	DESCRIPTION (* indicates parts available in assemblies only)	PART #	QTY
-	DRIVE, MP200 ECO FEED	533638	1
-	MOTOREDUCER, KC30/P30+SKH63-4B2/X	533639	1
1	MOTOR, SKH63-4B2 (0.18KW; 1370 R.P.M.)	532802	1
2	REDUCER, KC30/P30 90/11 V6	533637	1
3	ARM, TORQUE	533634-1	1
4	BOLT, M8	533635-1	1
5	BOLT M6X12 HH ZC FT 8.8 DIN 933	F81001-7	2
6	BUSHING, 14.3/25-7 ZINC-PLATED	533636-1	1
7	WASHER 8,4 ZC DIN 126 ISO 7091	F81054-1	2
8	NUT M8 ZC 8 NYLOCK DIN 982 ISO 7040	F81032-2	2
9	KEY, A5X5X20 PARALLEL	513320	2
10	WASHER 10,5 ZC FENDER DIN 9021 ISO 7093	F81055-6	1
11	NUT M10 ZC 8 NYLOCK DIN 982 ISO 7040	F81033-1	1

3.4 PRO Feed drive 533650

533650_001_A
533650_MANUAL



REF.	DESCRIPTION (* indicates parts available in assemblies only)	PART #	QTY
-	DRIVE, PRO FEED	533650	1
-	DRIVE, MP160 PRO FEED	533650-160	1
-	DRIVE, MP180 PRO FEED	533650-180	1
	REDUCER, PRO KC40/P15+NF003+SKH63-2C	533640	1
1	MOTOR SKH63-B (0.37 KW; 2800 REV/MIN)	533642 ¹	1
2	SPEED VARIATOR NF003 140/11 V3	533643	1
3	REDUCER KC40 P15 63 B5 V6 H18 3D	533641	1
4	BUSHING, REDUCER	533731	1
5	KEY	533732	2
6	WASHER, Z 10.2 SPLIT LOCK ZINC	F81055-2	1

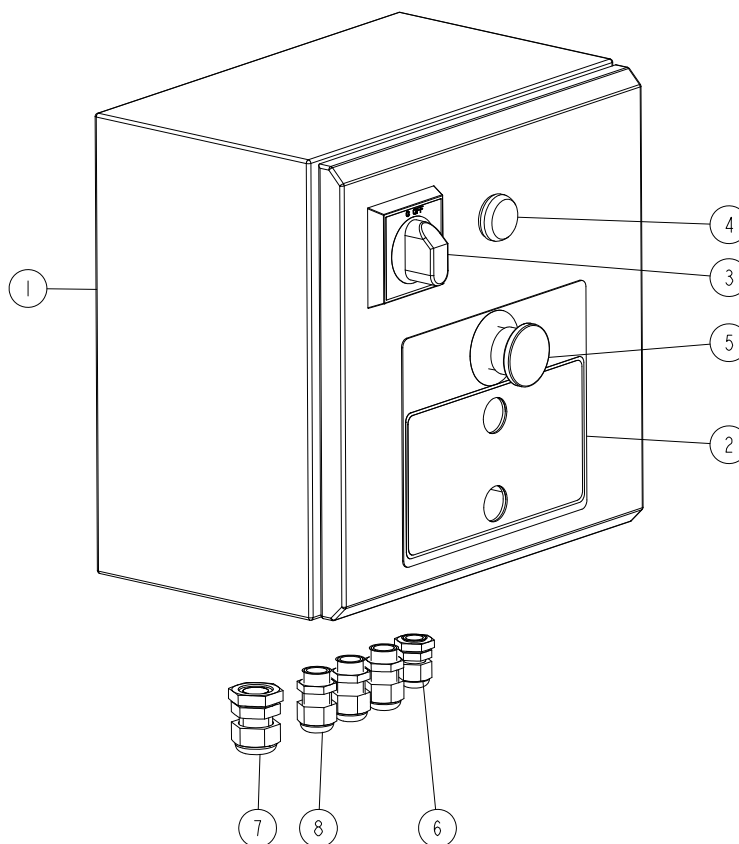
REF.	DESCRIPTION (* indicates parts available in assemblies only)	PART #	QTY	
7	ARM, TORQUE	533734-1	1	
8	WASHER, 8.4 FLAT ZINC	F81054-1	2	
9	NUT, M8-8-B HEX NYLON ZINC LOCK	F81032-2	2	
10	BOLT, M8	533635-1-6U	1	
11	WASHER, 6.4 FLAT ZINC	F81053-1	2	
12	BOLT, M6X12 8.8 HEX HEAD FULL THREAD ZINC	F81001-7	2	
13	NUT, M10	533733-1-6U	1	
14	BUSHING, REDUCER	541449 ²	1	
15	INDICATOR, POSITION (GRAVITY DRIVE)	546883	1	

¹ For other voltage version see motor's specification in the operation manual.

² Not Included In 535650-160

3.5 Electric box 532805

532805_001
532805_MANUAL



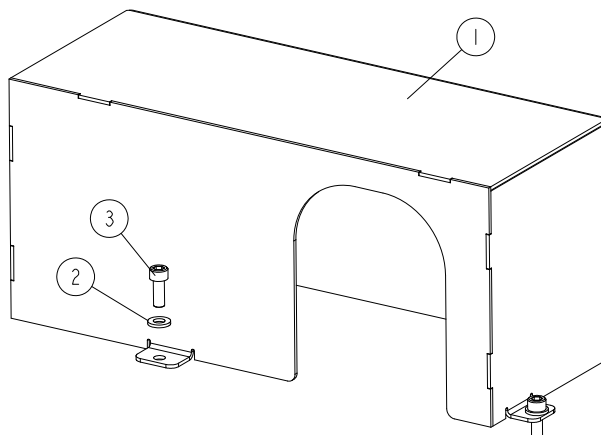
REF.	DESCRIPTION (* indicates parts available in assemblies only)	PART #	QTY
-	BOX, ELECTRIC - COMPLETE MP160EH 3X400V CE	532805 ¹	
	BOX, ELECTRIC - COMPLETE MP160EB 3X230V CE	532805-2 ²	
	BOX, ELECTRIC - COMPLETE MP160EBU 3X230V UL	532805-2U	
	BOX, ELECTRIC - COMPLETE MP160EC 3X460V CE	532805-4	
	BOX, ELECTRIC - COMPLETE MP160ECU 3X460V UL	532805-4U	
	BOX, ELECTRIC - COMPLETE MP160EA 1X230V CE	532805-6	
	BOX, ELECTRIC - COMPLETE MP160EAU 1X230V UL	532805-6U	
1	BOX, ELECTRIC MP 200	534763	1
2	DECAL, ELECTRIC BOX	534765	1
3	HANDLE, ABB SWITCH	088265-1	1
4	LIGHT, M22 LED 24V BLUE CONTROL	090448	1
5	SWITCH, XB4 BS542 EMERGENCY STOP	086556	1
6	GLAND, DP9/H CABLE	F81096-2	1
7	GLAND, DP16/H CABLE	F81096-7	1
8	GLAND, DW11/H CABLE	085388	3

¹ Optional power supply kit (cable with plug) - 539809-1

² Optional power supply kit (cable with plug) - 539809

3.6 Cover MP160 534776

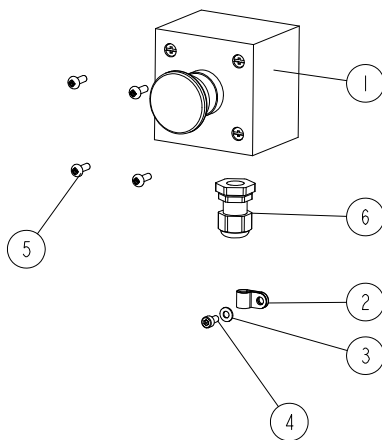
534776_001
534776_MANUAL



Ref	DESCRIPTION (* indicates parts available in assemblies only)	PART #	QTY	
-	COVER MP160 PRO	534776	1	
1	WELDING COVER, MP160 PRO	534778-1	1	
2	WASHER 6,4 ZC DIN 126 ISO 7091	F81053-1	3	
3	SCREW M6X16 SHCS ZC 8.8 DIN 912 ISO 4762	F81001-21	3	

3.7 Emergency stop switch assembly 535669

535669_001_A
535669_MANUAL



REF.	DESCRIPTION (* indicates parts available in assemblies only)	PART #	QTY
-	SWITCH ASSEMBLY, MP160 EMERGENCY STOP	535669	1
1	SWITCH, LPZ P1 B5 03 EMERGENCY STOP	536158	1
2	ELEMENT, EE63 MOUNTING	F81080-4	3
3	WASHER, 4.3 FLAT ZINC	F81051-2	3
4	SCREW, M4X8 8.8 HEX SOCKET HEAD CAP ZINC	F81011-36	3
5	SCREW, M4X12 -5,8-B CROSS RECESSED PAN HEAD ZINC	F81011-43	4
6	GLAND, DP 9/H CABLE	F81096-2	1